

**Milwaukee™**

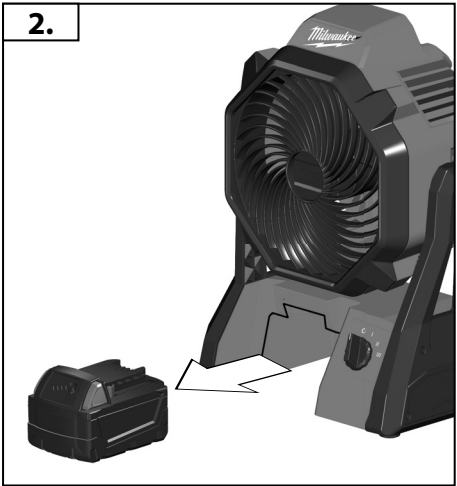
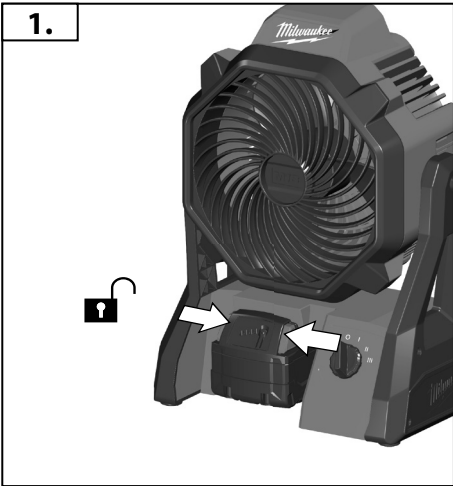
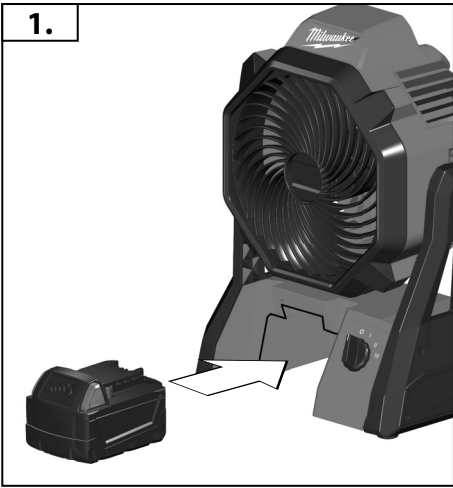
Nothing but **HEAVY DUTY.™**

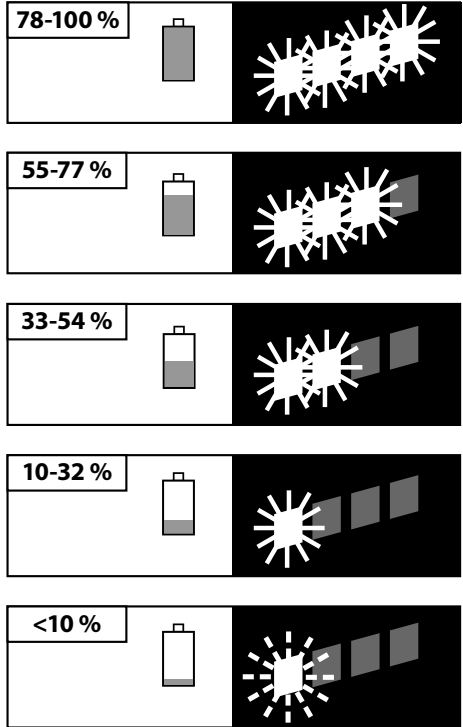
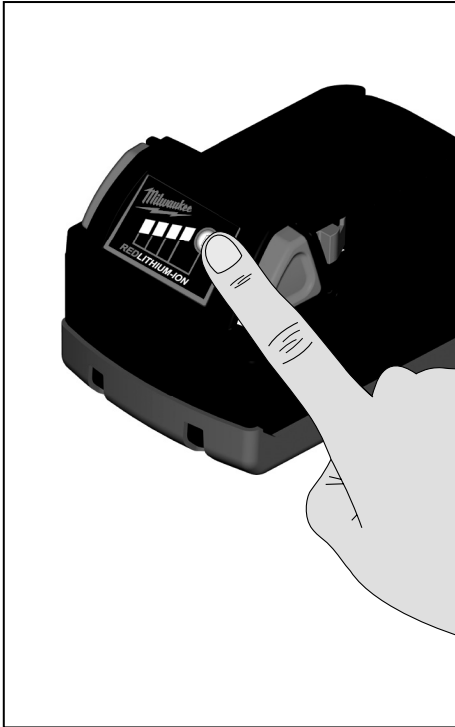
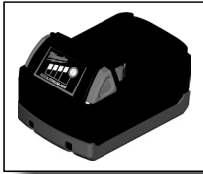


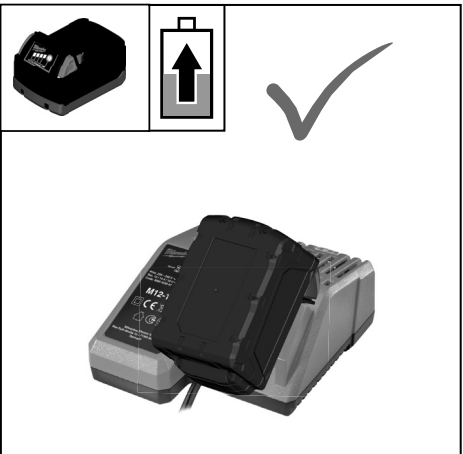
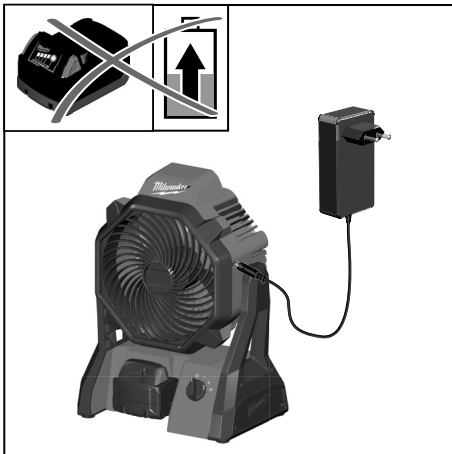
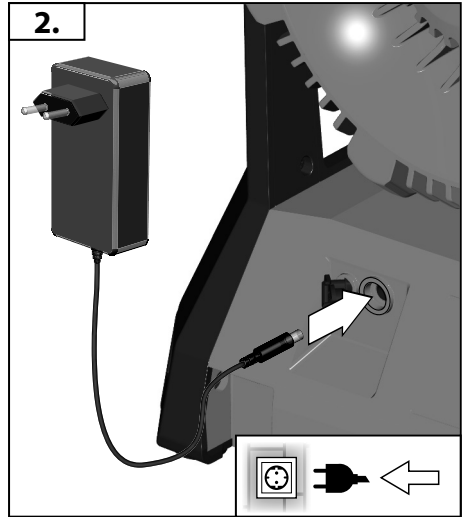
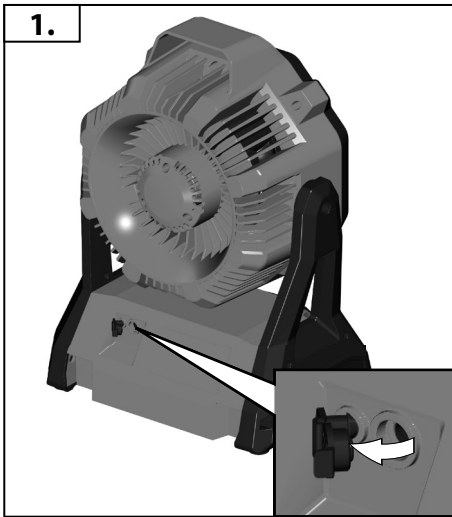
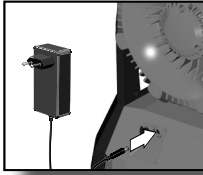
## **M18 AF**

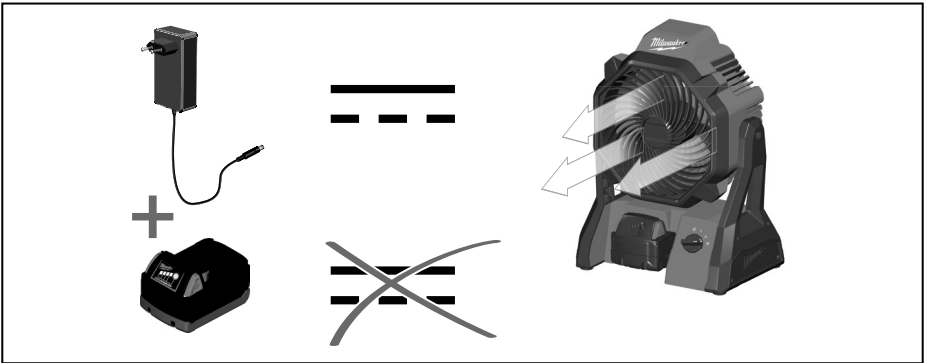
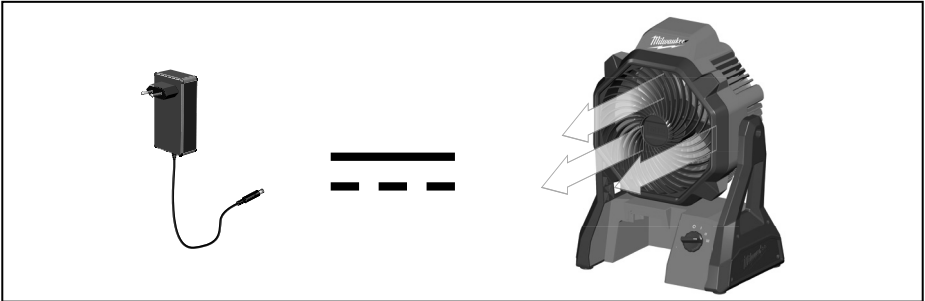
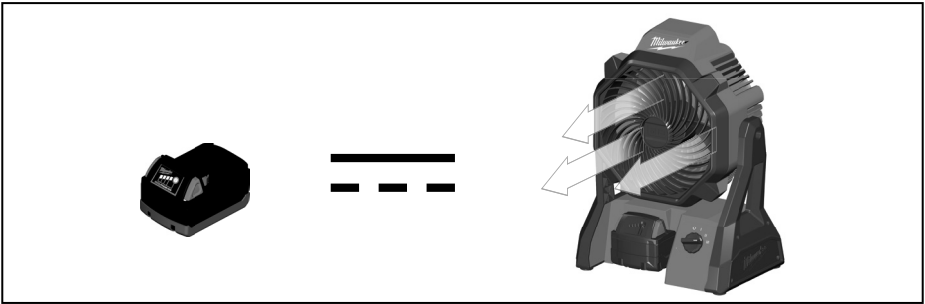
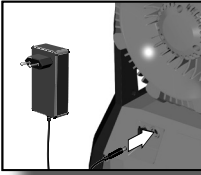
- ⓔ User Manual
- ⓩ 操作指南
- ⓩ 操作指南
- Ⓚ 사용시 주의사항
- Ⓣ คู่มือการใช้งาน
- Ⓜ Buku Petunjuk Pengguna
- Ⓥ Cẩm nang hướng dẫn sử dụng
- Ⓜ ユーザーマニュアル





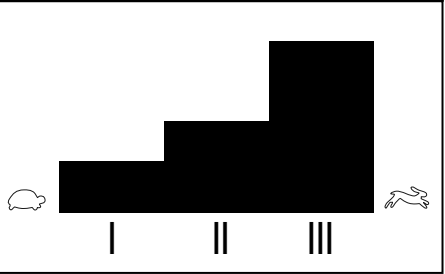
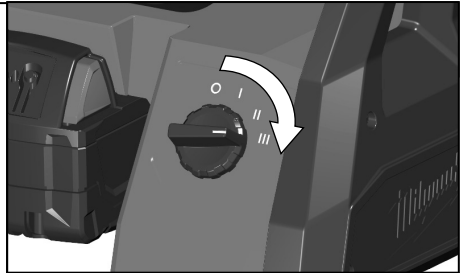




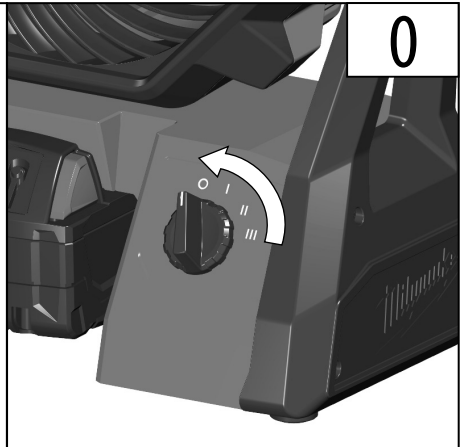


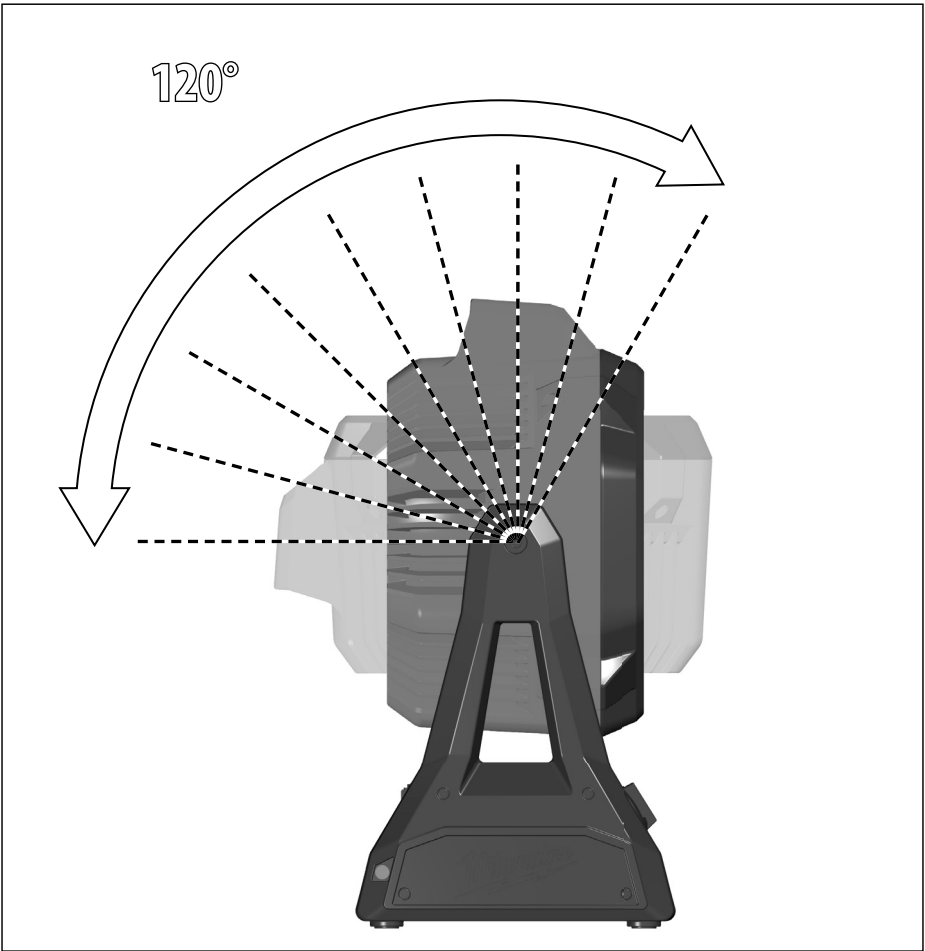
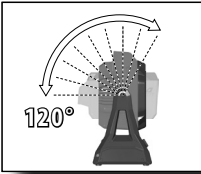


**Start**



**Stop**







**TECHNICAL DATA****M18 AF**

Battery voltage	18 V
AC/DC Adaptor input	100 - 240 V ~ 50/60 Hz/ 1.5 A
AC/DC Adaptor output	18 V = 2.5 A
Air delivery rate I	272 m <sup>3</sup> /h
Air delivery rate II	365 m <sup>3</sup> /h
Air delivery rate III	476 m <sup>3</sup> /h
Weight without battery	2.7 kg
Recommended battery types	M18B, M18B2, M18BX, M18B4, M18B5, M18B6, M18B9, M18 HB3, M18 HB6, M18 HB8, M18 HB12
Recommended chargers	M12-18C, M12-18AC, M12-18FC, M12-18C3

**Noise information**

Noise emission values determined according to EN 60335

Sound level 72 dB (A)

**⚠ WARNING!**

Read all safety warnings, instructions, illustrations, and specifications provided with this product.

Read all safety warnings and all instructions. Failure to follow the warnings and instructions may result in electric shock, fire, or serious injury.

Save all warnings and instructions for future reference.

**⚠ SAFETY INSTRUCTIONS**

The product can be used by children aged from 8 years and above and persons with reduced physical, sensory, or mental capabilities or lack of experience and knowledge if they have been given supervision or instruction concerning use of the product in a safe way and understand the hazards involved.

Children should not play with the product.

Cleaning and user maintenance shall not be done by children without supervision.

Use the power pack supplied by the manufacturer.

Use only AC/DC Adaptor provided by the manufacturer.

Do not use the product near naked flames or glowing ashes.

Do not use the product in rooms with a potentially explosive atmosphere. Do not use the product in rooms in which easily flammable material or gases may be present.

Do not leave the product unsupervised when it is switched on.

Do not use the product outside if it is raining.

Never close or block the air grille. Do not block the fan impeller.

Do not use the fan without the fan grille or if the fan grille is defective.

Use the product in a well-ventilated area only.

Dress properly. Do not wear loose clothing or jewellery. Loose clothing, jewels, and long hair may get caught by moving parts.

Remove and safely dispose of exhausted batteries.

If the product is to be stored unused for a long period, the batteries should be removed.

Do not short-circuit the supply terminals.

**BATTERIES**

Battery packs that have not been used for some time should be recharged before use.

Temperatures in excess of 50°C reduce the performance of the battery pack. Avoid extended exposure to heat or sunshine (risk of overheating).

For an optimum lifetime, the battery packs have to be fully charged after use.

To obtain the longest possible battery life, remove the battery pack from the charger once it is fully charged.

For battery pack storage longer than 30 days:

- Store the battery packs in a 30% – 50% charged condition
- Every six months of storage, charge the pack as normal.

Do not dispose of the used battery packs in the household refuse or by burning them. MILWAUKEE distributors offer to retrieve the old batteries to protect our environment.

Do not store the battery pack together with metal objects (short circuit risk).

Use only M18 System chargers for charging M18 System battery packs.

No metal parts should enter the battery section of the charger (short circuit risk).

Never break open the battery packs and chargers, and store them only in dry rooms. Keep the battery packs and chargers dry at all times.

Battery acid may leak from damaged batteries under extreme load or extreme temperatures. In case of contact with battery acid, wash it off immediately with soap and water. In case of eye contact, rinse thoroughly for at least 10 minutes and immediately seek medical attention.

#### ADDITIONAL BATTERY SAFETY WARNINGS

**⚠ WARNING!** To reduce the risk of fire, personal injury, and product damage due to a short circuit, never immerse the product, battery pack, or charger in fluid or allow fluid to flow inside them. Corrosive or conductive fluids, such as seawater, certain industrial chemicals, and bleach or bleach-containing products, etc., can cause a short circuit.

#### TRANSPORTING LITHIUM BATTERIES

Lithium-ion batteries are subject to the Dangerous Goods Legislation requirements.

Transportation of those batteries has to be done in accordance with local, national, and international provisions and regulations.

- Batteries can be transported by road without further requirements.
- Commercial transport of lithium-ion batteries by third parties is subject to the Dangerous Goods Regulations. Transport preparation and transport are exclusively to be carried out by appropriately trained persons and the process has to be accompanied by corresponding experts.

When transporting batteries:

- Ensure that the battery contact terminals are protected and insulated to prevent short circuit.
- Ensure that the battery pack is secured against movement within packaging.
- Do not transport batteries that are cracked or that leaks.

Check with the forwarding company for further advice.

#### MAINS CONNECTION

Connect only to a single-phase AC system voltage as indicated on the rating plate. It is also possible to connect to the sockets without an earthing contact as the design conforms to safety class II.

Before doing any work on the product, pull the plug out of the socket.

Make sure that the product is turned off before plugging in.

Before use, check the product, cable, and plug for any damages or material fatigue. Repairs should only be carried out by authorised service agents.

Keep the mains lead clear from working range of the product. Always lead the cable away behind you.

Always disconnect the plug from the socket after use.

#### MAINTENANCE

The ventilation slots of the product must be kept clear at all times.

If the replacement of the supply cord is necessary, this has to be done by the manufacturer or the agent in order to avoid a safety hazard.

Use only MILWAUKEE accessories and MILWAUKEE spare parts. Should components that have not been described need to be replaced, contact one of our MILWAUKEE service centres (see our list of guarantee or service addresses).

If needed, an exploded view of the product can be ordered. State the product type and the serial number on the label, and order the drawing at your local service centres.

#### SYMBOLS



CAUTION! WARNING! DANGER!



Read the instructions carefully before starting the product.



Remove the battery pack before starting any work on the product.



The product is only suitable for indoor use. Never expose the product to rain.



Qualified for tropical climate up to 40°C ambient temperature.



Do not dispose of electric tools together with household waste material. Electric tools and electronic equipment that have reached the end of their life must be collected separately and returned to an environmentally compatible recycling facility. Check with your local authority or retailer for recycling advice and collection point.



Class II product. A product in which the protection against electric shock does not rely on basic insulation only, but in which additional safety precautions, such as double insulation or reinforced insulation, are provided. There being no provision for protective earthing or reliance upon installation conditions.



Class III product.



Energy Efficiency Level VI



Switch mode power supply unit

IP20 Degree of protection provided by enclosure



Short-circuit-proof safety isolating transformer

$t_a:40^{\circ}\text{C}$  Rated ambient temperature



Symbol indicating the positive/negative of output terminal

技術數據	M18 AF
電池電壓	18 V
AC / DC配接器輸入	100 - 240 V ~ 50/60 Hz/ 1.5 A
AC / DC配接器輸出	18 V = 2.5 A
空氣輸出率 I	272 m³/h
空氣輸出率 II	365 m³/h
空氣輸出率 III	476 m³/h
重量 (不含電池)	2.7 kg
推薦的電池類型	M18B, M18B2, M18BX, M18B4, M18B5, M18B6, M18B9, M18HB3, M18 HB6, M18 HB8, M18 HB12
推薦充電器	M12-18C, M12-18AC, M12-18FC, M12-18C3
噪音資訊	
依 EN 60335 所測的測量值。	
聲功率級	72 dB (A)

### 警告！

請閱讀本產品隨附的所有安全警告、說明、插圖及規格。

閱讀所有安全警告和說明。若不按照警告和說明操作，則可能會導致觸電、火災和/或嚴重傷害。

將所有警告和說明保存好，方便以後查閱。

### 安全警告

本產品可以由8歲以上的兒童以及身體、感官或精神能力較弱或缺乏經驗和知識的人使用。如果他們受到安全使用該產品的監督或指導，以及了解所涉及的危害。

兒童不應將產品當作玩具。

在沒有監督的情況下，兒童不得對產品進行清潔及用用戶維修。

請勿在明火或灰爐附近使用本產品。

僅使用製造商提供的AC / DC配接器。

切勿在潛在爆炸危險的房間中使用產品。請勿在可能存在易燃材料或氣體的房間內使用本產品。

啟動時，切勿讓產品處於無人監管狀態。

如果下雨，請勿在室外使用。

切勿關閉或擋住通風格柵。不要擋住風扇葉輪。

不使用沒有風扇格柵或有缺陷的風扇格柵的風扇。

只能在良好通風的地方使用本產品。

穿上正確的衣著。不要穿寬鬆的衣服或首飾。寬鬆的衣服、珠寶及長髮可能會被活動部件夾住。

從產品中取出廢棄的電池，並妥善處理。

如果要長時間不使用產品，應取出電池。

切勿使電源端子短路。

充電電池充電前須移出充電器。

非充電電池不可充電

不同形式電池及新舊電池不可混用

### 電池

久未使用的電池必須重新充電後再使用。

超過50°C的高溫會降低電池的效能。避免暴露於高溫或陽光下（可能導致過熱）。

為確保最佳電池使用壽命，電池組使用後應再完全充電。

為確保電池的最長壽命，充電完成後，勿將電池匣繼續留在充電器上。

電池儲存時間長於30日：

- 將電池組保持在充電量30%-50%的狀態；
- 存放中的電池組應每六個月照常充電一次。

勿將用過的電池組與家庭廢棄物混合或燃燒電池。MILWAUKEE經銷商提供舊電池回收，以保護我們的環境。

勿將電池組與其他金屬物品一起存放（可能引起短路）。

僅可使用M18系統充電器對M18系統電池進行充電。請勿使用其他系統的電池。

切勿讓金屬部份接觸充電器的電池部份（有短路危機）。

不可拆開電池和充電器。電池和充電器必須儲藏在乾燥的空間，勿讓濕氣滲入。必須經常保持乾燥。

在極端負載或極端溫度下，損壞的電池可能漏出內部酸液。若碰到電池酸液，請即刻用肥皂與清水洗去。若酸液接觸到眼睛，以清水沖洗至少10分鐘後立即就醫。

### 附加電池安全警告

**警告！** 為了減少因短路而導致火災、人身傷害和產品損壞的風險，請勿將工具、電池組或充電器浸沒在流體中或使流體流入其中。腐蝕性或導電性流體（如海水、某些工業化學品、以及漂白劑或含漂白劑的產品等）都會導致短路。

## 運輸鋰電池

鋰離子電池須受制於危險品法例的要求。

運送鋰電池必須在符合當地、國家及國際標準及法例的情況下進行。

- 使用者可於陸地上運送電池而毋須受限；
- 第三方負責的商業式鋰電池運送須受制於危險品法例。運送的預備及過程必須由受嚴格訓練的人士進行，亦必須得到專家在場監管。

運送電池時：

- 請確保電池接觸終端受到嚴密保護及經過絕緣，防止短路；
- 請確保電池組妥善包裝，防止碰撞磨擦；
- 切勿運送有裂痕或洩漏中的電池。

與速遞公司緊密聯繫以獲得進一步資訊。

## 維護

對產品進行任何工作前，先移除電池。

如果需要更換電源線，則必須由製造商或其代理商進行，以避免安全隱患。

只可使用MILWAUKEE的配件和零件。如果需要更換的組件在此沒有介紹，請與其中一個MILWAUKEE服務代理機構聯繫（參見我們的維修/服務地址列表）。

如果需要機器的分解圖，可以向您的顧客服務中心查詢。請您向當地的顧客服務中心提供以下資料：機器銘牌上產品的號碼及機型。

## 符號



注意！警告！危險！



啟動產品前，請仔細閱讀本說明。



對產品進行任何工作前，先移除電池。



本產品僅供室內使用。切勿將產品暴露在雨中。



適用於高達40°C環境溫度的熱帶氣候。



勿將用過的電動工具、電池/充電電池與家庭廢棄物混合。  
當電動工具和電池達到使用壽命時，必須單獨收集，並送至環保回收機構。  
請與當地相關部門或經銷商聯繫，了解回收建議和收集地點。



III類工具



能源效率六級



開關電源單元

IP20

外殼提供的防護等級



防短路安全隔離變壓器

ta:40°C

額定環境溫度



表示輸出端子正/負的符號

設備名稱：電扇 ， 型號（型式）：M18 AF  
 Equipment name Type designation (Type)

單元 Unit	限用物質及其化學符號 Restricted substances and its chemical symbols					
	鉛Lead (Pb)	汞Mercury (Hg)	鎘Cadmium (Cd)	六價鉻 Hexavalent chromium (Cr <sup>6+</sup> )	多溴聯苯 Polybrominated biphenyls (PBB)	多溴二苯醚 Polybrominated diphenyl ethers (PBDE)
機殼金屬部分	○	○	○	○	○	○
機殼非金屬部分	○	○	○	○	○	○
印刷電路板	超出 0.1 wt %	○	○	○	○	○
馬達組件	超出 0.1 wt %	○	○	○	○	○
開關	○	○	○	○	○	○
<p>備考1. “超出0.1 wt %”及“超出0.01 wt %”係指限用物質之百分比含量超出百分比含量基準值。                      Note 1: “Exceeding 0.1 wt %” and “exceeding 0.01 wt %” indicate that the percentage content of the restricted substance exceeds the reference percentage value of presence condition.</p> <p>備考2. “○”係指該項限用物質之百分比含量未超出百分比含量基準值。                      Note 2: “○” indicates that the percentage content of the restricted substance does not exceed the percentage of reference value of presence.</p> <p>備考3. “-”係指該項限用物質為排除項目。                      Note 3: The “-” indicates that the restricted substance corresponds to the exemption.</p>						

技术数据	M18 AF
电池电压	18 V
AC / DC配接器输入	100 - 240 V ~ 50/60 Hz/ 1.5 A
AC / DC配接器输入	18 V = 2.5 A
空气输出率 I	272 m³/h
空气输出率 II	365 m³/h
空气输出率 III	476 m³/h
重量 (不含电池)	2.7 kg
推荐的电池类型	M18B, M18B2, M18BX, M18B4, M18B5, M18B6, M18B9, M18HB3, M18 HB6, M18 HB8, M18 HB12
推荐充电器	M12-18C, M12-18AC, M12-18FC, M12-18C3
噪音信息	
本测量值符合EN 60335条文的規定。	
声功率值	72 dB (A)

### 警告!

请阅读本产品随附的所有安全警告、说明、插图及规格。

阅读所有安全警告和说明。不遵照以下警告和说明会导致电击、着火和/或严重伤害。

保存所有警告和说明书以备查阅。

### 安全警告

本产品可以由8岁以上的儿童以及身体、感官或精神能力较弱或缺乏经验和知识的人使用。如果他们受到安全使用该产品的监督或指导，以及了解所涉及的危害。

儿童不应将产品当作玩具。

在没有监督的情况下，儿童不得对产品进行清洁及用户维修。

使用制造商提供的电源组。

仅使用制造商提供的AC / DC配接器。

请勿在明火或灰烬附近使用本产品。

切勿在潜在爆炸危险的房间中使用产品。请勿在可能存在易燃材料或气体的房间内使用本产品。

启动时，切勿让产品处于无人监管状态。

如果下雨，请勿在室外使用。

切勿关闭或挡住通风格栅。不要挡住风扇叶轮。

不使用没有风扇格栅或有缺陷的风扇格栅的风扇。

只能在良好通风的地方使用本产品。

穿上正确的衣着。不要穿宽松的衣服或首饰。宽松的衣服，珠宝及长发可能会被活动部件夹住。

从产品中取出废弃的电池，并妥善处理。

如果要长时间不使用产品，应取出电池。

切勿使电源端子短路。

### 电池

长期储放的电池必须先充电再使用。

超过50°C的高温会降低电池组的效能。避免暴露于高温或阳光下（可能导致过热）。

为获得最长寿命，使用后应把电池充满电。

为确保最长使用寿命，充电后应把电池从充电器取出。

电池储存时间长于30日：

- 在百分之30至50充电状态储存电池；
- 每6个月重新充电。

用过的电池组不可以丢入火中或一般的家庭垃圾中。美沃奇经销商提供旧电池回收，以保护我们的环境。

电池组不可以和金属物体存放在一起（可能产生短路）。

M18系列的电池组只能和M18系列的充电器配合使用。不可以使用其他系列的电池。

切勿让金属部分接触充电器的电池部份（有短路危机）。

不可拆开电池和充电器。电池和充电器必须储藏在干燥的空间，勿让湿气渗入。必须经常保持干燥。

在过度超荷或极端的温度下，可能从损坏的电池组中流出液体。如果触摸了此液体，必须马上使用肥皂和大量清水冲洗。如果此类液体侵入眼睛，马上用清水彻底清洗眼睛（冲洗至少10分钟），接着即刻就医治疗。

### 附加电池安全警告

**警告!** 为了减少因短路而导致火灾、人身伤害和产品损坏的风险，请勿将工具、电池组或充电器浸没在流体中或使流体流入其中。腐蚀性或导电性流体（如海水、某些工业化学品、以及漂白剂或含漂白剂的产品等）都会导致短路。

## 锂电池的运输

锂电池属于危险货品并受制于危险货品运输条例。此电池的运输必须遵守地方、国家和国际法律规定。

- 用户在公路上运输此电池组不必遵守特殊规定；
- 锂电池的商业性运输受制于危险货品运输条例的规定。运输准备和运输必须由受过合适培训人员进行。全部过程必须由合格专业人员监督。

运输电池时必须注意到下列事项：

- 为避免短路，必须确保电池接点的防护和绝缘；
- 确保包装中的电池包不会滑动；
- 严禁运输损坏或泄漏电池。

进一步建议请联系运输商。

## 电源连接

如铭牌上所示，仅连接到单相交流系统电压。本产品的设计符合II类安全标准，所以可以连接到没有接地点的插座。

在对产品进行任何操作之前，请将插头从插座中拔出。

插入插头前确保本产品已经关闭。

使用产品前，请检查产品、电缆及插头是否有任何损坏或材料疲劳。只能由授权的服务中心进行维修。

保持电源线远离产品的工作范围。务必让电缆在您的后面。

使用后务必将插头从插座上拔下。

## 维护

设备的通风槽必须经常保持清洁。

如果需要更换电源线，则必须由制造商或其代理商进行，以避免安全隐患。

只能使用美沃奇的附件和零件。如果需要更换的组件在此没有介绍，请与其中一个美沃奇服务代理机构联系（参见我们的保修/服务地址列表）。

若需要，您可以订购本工具的分解图。请向您的顾客服务中心提供以下资料：铭牌上机器的号码和机型。

## 符号



注意！警告！危险！



启动机器前，请仔细阅读本说明书。



对产品进行任何工作前，先移除电池。



本产品仅供室内使用。切勿将产品暴露在雨中。



适用于高达40°C的环境温度的热带气候。



勿将用过的电动工具、电池/充电电池与家庭废弃物混合。

当电动工具和电池达到使用寿命时，必须单独收集，并送至环保回收机构。

请与当地主管部门或经销商联系，了解回收建议和收集地点。



II类工具，防触电保护几乎可以通过基本绝缘的产品，而且还提供了附加的安全预防措施，例如双层绝缘或增强绝缘。没有提供保护接地规定，也不依赖于安装条件。



III类工具



能源效率六级



开关电源单元

IP20

外壳提供的防护等级



防短路安全隔离变压器

ta:40°C

额定环境温度



表示输出端子正/负的符号



产品中有害物质的名称及含量						
部件名称	有害物质					
	铅及其化合物 (Pb)	汞及其化合物 (Hg)	镉及其化合物 (Cd)	六价铬 (Cr(VI))	多溴联苯 (PBB)	多溴二苯醚 (PBDE)
机壳金属部分	X	0	0	0	0	0
机壳非金属部分	X	0	0	0	0	0
印刷电路板	X	0	0	0	0	0
马达组件	0	0	0	0	0	0
开关	0	0	0	0	0	0
适配器	X	0	0	0	0	0

本表格依据SJ/T 11364的规定编制。

“0”：表示该有害物质在该部件所有均质材料中的含量均在GB/T 26572规定的限量要求以下。

“X”：表示该有害物质至少在该部件的某一均质材料中的含量超出GB/T 26572规定的限量要求。

기술 데이터	M18 AF
배터리 전압	18 V
AC/DC 어댑터 입력	100 - 240 V ~ 50/60 Hz/ 1.5 A
AC/DC 어댑터 출력	18 V = 2.5 A
공기 정화율 I	272 m <sup>3</sup> /h
공기 정화율 II	365 m <sup>3</sup> /h
공기 정화율 III	476 m <sup>3</sup> /h
중량(리튬-이온 배터리 제외)	2.7 kg
권장 배터리 팩	M18B, M18B2, M18BX, M18B4, M18B5, M18B6, M18B9, M18 HB3, M18 HB6, M18 HB8, M18 HB12
권장 충전기	M12-18C, M12-18AC, M12-18FC, M12-18C3
소음 정보	
EN 60335에 따라 결정되는 잡음 방출 값	
음향 레벨	72 dB (A)

### 경고!

제품과 함께 제공된 안전 경고 문구, 설명서, 도해 및 사양을 모두 읽으십시오.

안전 경고 문구와 설명서를 모두 읽어보십시오. 경고 문구와 설명서를 준수하지 않으면 강전, 화재 및/또는 심각한 부상이 초래될 수 있습니다.

향후 참조할 수 있도록 경고 문구와 설명서를 잘 보관해 두십시오.

### 안전 설명서

광독 또는 제품을 안전하게 사용하는 것과 관련된 지침을 전달받거나 제품 관련 위험 요소를 숙지하고 있는 경우, 8세 이상의 어린이 및 신체적, 감각적 또는 정신적 기능이 저하되었거나 경험과 지식이 부족한 개인이 본 제품을 사용할 수 있습니다.

어린이가 제품을 가지고 놀지 않아야 합니다.

어린이가 감독없이 청소 및 사용자 유지 관리 작업을 수행하지 않아야 합니다.

제조업체가 제공한 전원 공급 팩을 사용하십시오.

제조업체가 제공한 AC/DC 어댑터만 사용하십시오.

개방 화염이나 타고 있는 재 근처에서 제품을 사용하지 마십시오.

잠재적으로 폭발성 대기가 있는 실내 환경에서 제품을 사용하지 마십시오. 인화성 물질이나 가스가 있는 공간에서 제품을 사용하지 마십시오.

스위치를 켜 상태에서 제품을 그대로 방치하지 마십시오.

비가 오는 경우 실외에서 제품을 사용하지 마십시오.

에어 그릴을 닫거나 차단하지 마십시오. 팬 임펠러를 차단하지 마십시오.

팬 그릴이 없거나 팬 그릴에 결함이 있는 경우 팬을 사용하지 마십시오.

환기가 잘되는 곳에서만 제품을 사용하십시오.

올바른 작업복을 착용하십시오. 험형한 옷이나 장신구를 착용하지 마십시오. 느슨한 옷, 장신구 및 긴 머리카락이 움직이는 부품에 걸릴 수 있습니다.

제품에서 소모된 배터리를 제거하여 안전하게 폐기해야 합니다.

오랜 기간 동안 사용하지 않은 채 보관해야 하는 경우, 배터리를 분리해야 합니다.

배터리 단자를 단락시키지 마십시오.

### 배터리

장시간 사용하지 않은 배터리 팩은 사용하기 전에 충전해야 합니다.

50°C를 초과하는 온도는 배터리 팩의 성능을 저하시킵니다. 열이나 햇볕에 오래 노출시키지 마십시오(과열 위험).

최적의 수명을 보장하려면 사용한 후에 배터리 팩을 완전히 충전해야 합니다.

배터리 수명을 최대한 연장하려면 완전히 충전된 경우 충전기에서 배터리 팩을 제거하십시오.

30일 이상 배터리 팩을 보관하는 경우:

- 배터리 팩을 30% - 50% 충전된 조건으로 보관하십시오.
- 보관한지 6개월이 경과할 때마다 팩을 정상적으로 충전하십시오.

사용된 배터리 팩을 가정용 쓰레기와 함께 폐기하거나, 태우지 마십시오. 밀워키는 환경 보호를 위해 오래된 배터리 팩을 회수하는 것을 권장합니다.

배터리 팩을 금속 물체와 함께 보관하지 마십시오(단락 회로 위험).

System M18 배터리 팩을 충전하려면 System M18 충전기만 사용하십시오.

충전기의 배터리 부위에 어떤 금속 조각도 들어가는 안됩니다(합선 위험이 있습니다).

배터리 팩과 충전기를 개방하지 말고, 건조한 곳에 보관하십시오. 배터리 팩과 충전기는 항상 건조한 상태로 유지하십시오.

극심한 부하 또는 극심한 온도 조건에서 손상된 배터리로부터 배터리 산이 누출될 수 있습니다. 배터리 산과 접촉한 경우, 비눗물로 즉시 세척하십시오. 눈과 접촉할 경우, 최소 10분 동안 철저히 세정한 후 즉각적인 의료 조치를 취하십시오.

#### 추가 배터리 안전 주의 사항

**⚠ 경고!** 단락 회로로 인한 화재, 작업자 부상 및 제품 손상 위험을 줄이려면 불, 배터리 팩 또는 충전기를 유체에 침수시키거나 유체가 내부로 흘러들어가지 않도록 해야 합니다. 해수, 특정한 산업용 화학 물질 및 표백제 또는 표백제 함유 제품 같은 부식성 또는 전도성 유체 등은 단락 회로를 야기할 수 있습니다.

#### 리튬 배터리의 운송

리튬 이온 배터리는 위험물 법률 요건의 적용을 받습니다.

이 배터리는 현지, 국내 및 국제 규정과 법규에 따라 운송해야 합니다.

- 배터리는 추가 요구 사항 없이 도로를 통해 운송할 수 있습니다.
- 제3자가 리튬 이온 배터리를 상용으로 운송할 때에는 위험물 규정의 적용을 받습니다. 운송 준비 및 운송 작업은 적절한 교육을 이수한 개인만 수행해야 하고 그 과정에 해당 전문가가 동행해야 합니다.

배터리 운송 시 :

- 배터리 접촉면을 보호 및 차단하여 합선 위험을 방지하십시오.
- 배터리 팩이 포장 내에서 움직이지 않도록 고정하십시오.
- 균열 또는 누출이 있는 배터리는 운송하지 마십시오.

추가 지침은 운송 회사에 확인하십시오.

#### 주전원 연결

정격 플레이트에 지시된 단상 AC 시스템 전압 공급 장치에만 연결하십시오. 설계 장치가 안전 등급 II 에 부합할 경우 접점이 없는 소켓에 연결할 수도 있습니다.

본 제품에서 어떠한 작업을 수행하기 전에 소켓에서 플러그를 당겨 빼내십시오.

플러그를 연결하기 전에 제품의 전원이 꺼져 있는지 확인하십시오.

사용하기 전에 장비, 케이블 및 플러그에 손상이나 노후화된 재료가 없는지 점검합니다. 경정비 및 수리 작업은 인가된 서비스 센터에서만 수행해야 합니다.

제품의 작동 범위에 주도선(주도선)이 없도록 하십시오. 전선은 항상 작업자 뒤 편으로 떨어져 있어야 합니다.

사용 후에는 항상 소켓에서 플러그를 분리하십시오.

#### 유지 관리

제품의 통기구를 항상 깨끗하게 유지해야 합니다.

전선을 교체해야 하는 경우, 안전 위험을 피하기 위해 전선 교체 작업은 제조업체나 대리점에서 수행해야

합니다.

반드시 MILWAUKEE 부속품과 MILWAUKEE 예비품을 사용하십시오. 언급하지 않은 구성 부품을 교체해야 하는 경우 MILWAUKEE 서비스 센터 중 한 곳에 문의하십시오(보충/서비스 주소 목록 참조).

필요 시, 제품의 분해 조립도를 주문할 수 있습니다. 라벨에 인쇄되어 있는 제품 유형과 일련 번호를 알려주고 현지 서비스 대리점에서 도면을 주문하십시오.

#### 기호



주의! 경고! 위험!



제품 사용 전, 설명서를 자세히 읽으십시오.



제품 사용 전, 배터리 팩을 제거하십시오.



이 공구는 실내 전용입니다. 공구를 비에 노출시키지 마십시오.



최대 40°C 주변 온도의 열대 기후에서 사용하기에 적합합니다.



전기 제품과 부속품을 일반 가정용 쓰레기와 함께 버리지 마십시오. 수명이 다한 전기 제품과 전자 장비는 분리 수거하고 재활용 시설에서 처리해야 합니다. 재활용에 관한 조언과 수거 지점에 대해서는 지방 정부당국이나 소매업자에게 확인하십시오.



II 등급 공구. 전기 충격 방지 기능이 있는 제품은 기본 절연 기능에만 의존하는 것이 아니라 이중 절연 또는 강화된 절연 기능 같은 추가적인 안전 예방 조치가 제공되어 있습니다. 보호 접지 또는 설치 조건에 대한 신뢰성은 제공하지 않습니다.



III등급 공구.



에너지 효율 등급: VI



스위치 모드 전원 공급 장치

IP20

인클로저가 제공하는 보호 등급



단락 방지 안전 절연 변압기

ta:40°C

정격 주변 온도



출력 단자의 플러스/마이너스를 나타내는 기호

ข้อมูลทางเทคนิค	M18 AF
แรงดันไฟแบตเตอรี่	18 V
อะแดปเตอร์อินพุต AC/DC	100 - 240 V ~ 50/60 Hz/ 1.5 A
เอาต์พุตอะแดปเตอร์ AC/DC	18 V = 2.5 A
อัตราการเป่าลม I	272 m <sup>3</sup> /h
อัตราการเป่าลม II	365 m <sup>3</sup> /h
อัตราการเป่าลม III	476 m <sup>3</sup> /h
น้ำหนักที่ไม่มีแบตเตอรี่	2.7 kg
ชุดแบตเตอรี่ที่แนะนำ	M18B, M18B2, M18BX, M18B4, M18B5, M18B6, M18B9, M18 HB3, M18 HB6, M18 HB8, M18 HB12
ชาร์จเจอร์ที่แนะนำ	M12-18C, M12-18AC, M12-18FC, M12-18C3

**ข้อมูลเกี่ยวกับเสียงรบกวน**

ค่าการปล่อยเสียงรบกวนที่กำหนดตามมาตรฐาน EN 60335  
ระดับเสียง 72 dB (A)

**⚠ คำเตือน!**

อ่านวิธีใช้ ภาพประกอบ ข้อมูลจำเพาะ และคำเตือนด้านความปลอดภัยทั้งหมดที่ให้มาเกี่ยวกับผลิตภัณฑ์โปรดอ่านคำเตือนเรื่องความปลอดภัยและคำแนะนำทั้งหมด การไม่ปฏิบัติตามคำเตือนและวิธีใช้อาจทำให้เกิดไฟฟ้าช็อต เกิดเพลิงไหม้ และ/หรือได้รับบาดเจ็บรุนแรงได้  
โปรดเก็บเอกสารคำเตือนและคำแนะนำทั้งหมดเพื่อใช้อ้างอิงในอนาคต

**⚠ คำแนะนำความปลอดภัย**

ผลิตภัณฑ์นี้สามารถใช้ได้โดยเด็กอายุ 8 ปีขึ้นไปและบุคคลที่มีความสามารถทางร่างกาย การรับสัมผัส หรือจิตใจบกพร่อง หรือขาดประสบการณ์และความรู้ได้ ถ้าหากได้รับการดูแลหรือคำแนะนำเกี่ยวกับการใช้ผลิตภัณฑ์อย่างปลอดภัยและเข้าใจอันตรายที่เกี่ยวข้อง

เด็กไม่ควรเล่นกับผลิตภัณฑ์นี้  
การทำความสะอาดและการบำรุงรักษาโดยผู้ใช้จะต้องไม่กระทำโดยเด็กโดยไม่มีการควบคุมดูแล

ใช้ชุดจ่ายพลังงานที่ผู้ผลิตให้มา  
ใช้เฉพาะอะแดปเตอร์ AC/DC ที่ผู้ผลิตให้มาเท่านั้น

ห้ามใช้ผลิตภัณฑ์ใกล้เปลวไฟหรือกาน้ำไฟที่ยังคงคุกรุ่น  
ห้ามใช้ผลิตภัณฑ์ในห้องที่มีบรรยากาศที่อาจเกิดการระเบิดได้  
ห้ามใช้ผลิตภัณฑ์ในห้องที่มีวัสดุหรือแก๊สไวไฟ

อย่าวางเครื่องทิ้งไว้โดยไม่มีการดูแลเมื่อเปิดเครื่อง  
ห้ามใช้ผลิตภัณฑ์ภายนอกอาคารถ้าฝนตก

ห้ามเปิดหรือบ่งช่องระบายอากาศ ห้ามมีสิ่งกีดขวางการหมุนของพัดลม  
ห้ามใช้พัดลมที่ไม่มีตะแกรงด้านหน้าหรือหากตะแกรงชำรุดเสียหาย

ใช้ผลิตภัณฑ์เฉพาะในบริเวณที่มีกระเปาะอากาศที่ดีเท่านั้น  
แต่งกายอย่างเหมาะสม อย่าใส่เสื้อผ้าที่หลวมหรือเครื่องประดับ

เสื้อผ้าหลวม อัญมณี และผมยาว อาจถูกดึงเข้าไปพันกับชิ้นส่วนที่เคลื่อนที่

นำแบตเตอรี่ที่หมดแล้วออกจากผลิตภัณฑ์แล้วนำไปทิ้งอย่างปลอดภัย

หากต้องการเก็บผลิตภัณฑ์ไว้เป็นเวลานานควรถอดแบตเตอรี่ออก

อย่าลืมหงายหัวแบตเตอรี่

**แบตเตอรี่**

ควรชาร์จไฟใหม่ก่อนใช้งานหากไม่ได้ใช้ชุดแบตเตอรี่เป็นเวลานาน

ประสิทธิภาพของชุดแบตเตอรี่จะลดลงหากอุณหภูมิสูงกว่า 50°C หลีกเลี่ยงไม่ให้ถูกแสงแดดหรือความร้อนเป็นเวลานาน (เสียงต่อความร้อนเกิน)

เพื่อยืดอายุการใช้งาน ควรชาร์จแบตเตอรี่ให้เต็มหลังการใช้งานเพื่อรักษาอายุแบตเตอรี่ให้นานที่สุด ให้ถอดชุดแบตเตอรี่ออกจากตัวชาร์จเมื่อชาร์จไฟเต็ม

สำหรับชุดแบตเตอรี่ที่ต้องการเก็บไว้นานกว่า 30 วัน:

- เก็บชุดแบตเตอรี่ไว้ที่ประจ 30% - 50%
- ให้ชาร์จแบตเตอรี่ตามปกติทุกหกเดือนที่เก็บ

ห้ามทิ้งแบตเตอรี่ที่ใช้แล้วกับขยะครัวเรือนหรือโดยการเผาทำลาย ผู้แทนจำหน่ายของ MILWAUKEE มีข้อเสนอในการกู้คืนแบตเตอรี่เก่าเพื่อปกป้องสภาพแวดล้อมของเรา

ไม่เก็บชุดแบตเตอรี่ไว้รวมกับวัตถุอื่นที่เป็นโลหะ (เสียงต่อการลัดวงจร)

ชาร์จชุดแบตเตอรี่ System M18 ด้วยตัวชาร์จสำหรับ System M18 เท่านั้น

ห้ามไม่ให้มีชิ้นส่วนที่เป็นโลหะในส่วนแบตเตอรี่ของตัวชาร์จ (เสียงต่อการลัดวงจร)

ห้ามเปิดทำลายแบตเตอรี่และเครื่องชาร์จและเก็บไว้ในห้องที่แห้งเท่านั้น เก็บก่อนแบตเตอรี่และอุปกรณ์ชาร์จในที่แห้งตลอดเวลา

กรดแบตเตอรี่อาจรั่วซึมจากแบตเตอรี่ที่เสียหายภายใต้อุณหภูมิสูงหรือการใช้งานที่หนักมากเกินไป หากสัมผัสกับกรดแบตเตอรี่ให้ล้างออกทันทีด้วยน้ำสะอาด หากกรดแบตเตอรี่เข้าตา ล้างตาให้ทั่วด้วยน้ำอย่างน้อย 10 นาทีและไปพบแพทย์ทันที

### คำเตือนเพิ่มเติมเกี่ยวกับความปลอดภัยของแบตเตอรี่

**⚠ คำเตือน!** วัสดุมีความเสี่ยงในการเกิดไฟไหม้ การบาดเจ็บส่วนบุคคล และความเสียหายต่อผลิตภัณฑ์ จากการลัดวงจร อย่างเช่นเครื่องมือ ก่อนแบตเตอรี่ หรือเครื่องชาร์จไฟลงในของเหลวหรือปล่อยให้ของเหลวซึมเข้าสู่ภายใน ของเหลวที่มีฤทธิ์กัดกร่อนหรือนำไฟฟ้าอาจก่อให้เกิดการลัดวงจรได้ เช่น น้ำทะเล สารเคมีทางอุตสาหกรรมบางชนิด และผลิตภัณฑ์ฟ็อกสีหรือมีส่วนผสมการฟอกสี เป็นต้น

### การเคลื่อนย้ายแบตเตอรี่ลิเทียม

แบตเตอรี่ลิเทียม ไอออนอยู่ภายใต้ข้อกำหนดตามกฎหมายของสินค้าอันตราย

การขนส่งแบตเตอรี่เหล่านี้ต้องทำตามกฎระเบียบและข้อบังคับของท้องถิ่น ของประเทศ และระหว่างประเทศ

- สามารถขนส่งแบตเตอรี่ทางถนนได้โดยไม่ต้องมีข้อกำหนดเพิ่มเติม
- การขนส่งแบตเตอรี่ลิเทียม ไอออนเชิงพาณิชย์โดยนิติบุคคลอื่นต้องดำเนินการภายใต้กฎระเบียบว่าด้วยสินค้าที่มีอันตราย การเตรียมการขนส่งและการขนส่งต้องดำเนินการโดยบุคลากรที่ผ่านการฝึกอบรมมาแล้วเท่านั้น และในระหว่างดำเนินการต้องมีผู้เชี่ยวชาญที่เกี่ยวข้องคอยกำกับดูแล

เมื่อขนย้ายแบตเตอรี่:

- ตรวจสอบให้แน่ใจว่าขั้วต่อแบตเตอรี่ได้รับการปกป้องและหุ้มฉนวนเพื่อป้องกันไฟฟ้าลัดวงจร
- ตรวจสอบให้แน่ใจว่าก่อนแบตเตอรี่ได้รับการปกป้องอย่างแน่นหนาอยู่ในบรรจุภัณฑ์
- ห้ามเคลื่อนย้ายแบตเตอรี่ที่แตกหรือรั่ว

โปรดสอบถามบริษัทขนส่งหากท่านต้องการคำแนะนำเพิ่มเติม

### การเสียบสายไฟ

เชื่อมต่อเข้ากับระบบ AC แบบเฟสเดียวตามที่ระบุเอาไว้เท่านั้น สามารถเสียบสายไฟของเครื่องมือเข้ากับเต้าเสียบที่ไม่ได้ต่อสายดิน เนื่องจากเครื่องมือนี้ได้รับการออกแบบตามมาตรฐานความปลอดภัยระดับ 2

ก่อนที่จะดำเนินการใดๆ กับผลิตภัณฑ์ ให้ถอดปลั๊กออกจากเต้าเสียบ

โปรดตรวจสอบให้แน่ใจว่าได้ปิดเครื่องแล้วก่อนเสียบสายไฟ

ก่อนใช้ ควรตรวจสอบความเสียหายหรือการเสื่อมสภาพของวัสดุของเครื่องจักร สายไฟ และปลั๊ก การซ่อมแซมควรจะดำเนินการโดยตัวแทนบริการที่ได้รับอนุญาตเท่านั้น

เก็บสายไฟหลักให้ห่างอย่างชัดเจนจากช่วงการทำงานของผลิตภัณฑ์ ให้สายไฟอยู่ทางด้านหลังของท่านเสมอ

ถอดปลั๊กออกจากเต้าเสียบทุกครั้งหลังใช้งาน

### การบำรุงรักษา

ต้องให้ช่องระบายอากาศเปิดโล่งอยู่ตลอดเวลา

หากจำเป็นต้องเปลี่ยนสายไฟ ควรดำเนินการโดยผู้ผลิตหรือตัวแทนเพื่อหลีกเลี่ยงอันตรายในเรื่องความปลอดภัย

ใช้อุปกรณ์เสริมและชิ้นส่วนสำรองของ Milwaukee เท่านั้น หากจำเป็นต้องเปลี่ยนส่วนประกอบที่ไม่ได้อธิบายไว้ โปรดติดต่อศูนย์บริการของ MILWAUKEE (ดูที่รายการการรับประกัน/ที่อยู่ของศูนย์บริการของเรา)

ท่านสามารถส่งภาพกระจายชิ้นส่วนประกอบของผลิตภัณฑ์ได้

หากต้องการ โปรดระบุประเภทผลิตภัณฑ์ที่พิมพ์พร้อมหมายเลขอนุกรมบนฉลาก และส่งชื่อเครื่องที่ตัวแทนบริการภายในท้องถิ่นของคุณ

### เครื่องหมาย



ระวัง! คำเตือน! อันตราย!



โปรดอ่านคำแนะนำอย่างระมัดระวังก่อนเริ่มใช้เครื่องมือ



ถอดชุดแบตเตอรี่ออกก่อนเริ่มกระทำกรใดๆ กับผลิตภัณฑ์



เครื่องมือนี้เหมาะสำหรับการใช้งานภายในบ้านเท่านั้น ห้ามใช้เครื่องมือเป็ยกม่น



มีคุณสมบัติที่เหมาะสมสำหรับสภาพภูมิอากาศเขตร้อนชื้นที่อุณหภูมิสูงถึง 40°C



อย่าทิ้งเครื่องมือไฟฟ้าร่วมกับขยะในครัวเรือน เครื่องมือไฟฟ้าและอุปกรณ์อิเล็กทรอนิกส์ที่หมดอายุใช้งานแล้วจะต้องเก็บแยกกันและส่งกลับไปยังสถานีรีไซเคิลเพื่อสิ่งแวดล้อม ตรวจสอบกับผู้มีอำนาจในท้องถิ่นของคุณหรือร้านค้าปลีกสำหรับคำแนะนำในการรีไซเคิลและจัดเก็บรวบรวม



เครื่องมือคลาส II ผลิตภัณฑ์ที่การป้องกันไฟฟ้าลัดวงจรไม่ได้พึ่งพาแค่ฉนวนเพียงอย่างเดียวเท่านั้น แต่ยังมีข้อควรระวังในเรื่องความปลอดภัยเพิ่มเติม เช่น มีฉนวนสองชั้นหรือฉนวนชนิดเสริมประสิทธิภาพให้มาด้วย ขณะใช้งานไม่จำเป็นต้องถอดสายดินหรือใช้สายดินของระบบไฟ



เครื่องมือคลาส III



ระดับประสิทธิภาพต้านพลังงาน VI



หน่วยจ่ายพลังงานเป็นโหมตสวิตช์



ระดับของการป้องกันเป็นระบบปิด



หม้อแปลงแบบแยกเพื่อความปลอดภัยจากไฟฟ้าลัดวงจร

ta:40°C

มีคุณสมบัติเหมาะสมสำหรับอุณหภูมิโดยรอบ



มีสัญลักษณ์แสดงขั้วบวก/ขั้วลบ

DATA TEKNIS	M18 AF
Tegangan baterai	18 V
Input adaptor AC/DC	100 - 240 V ~ 50/60 Hz/ 1,5 A
Output adaptor AC/DC	18 V = 2,5 A
Laju aliran udara I	272 m <sup>3</sup> /h
Laju aliran udara II	365 m <sup>3</sup> /h
Laju aliran udara III	476 m <sup>3</sup> /h
Berat tanpa Baterai	2,7 kg
Paket baterai yang direkomendasikan	M18B, M18B2, M18BX, M18B4, M18B5, M18B6, M18B9, M18 HB3, M18 HB6, M18 HB8, M18 HB12
Pengisi daya yang direkomendasikan	M12-18C, M12-18AC, M12-18FC, M12-18C3
<b>Informasi kebisingan</b>	
Nilai emisi derau ditentukan menurut EN 60335	
Tingkat suara	72 dB (A)

### PERINGATAN!

Baca semua peringatan keselamatan, petunjuk, ilustrasi, dan spesifikasi yang disertakan bersama produk.

Baca semua peringatan keselamatan dan semua petunjuk. Jika tidak mematuhi peringatan dan petunjuk, dapat berakibat sengatan listrik, kebakaran, dan/atau cedera parah.

Simpan semua peringatan dan petunjuk sebagai referensi sewaktu-waktu.

### PETUNJUK KESELAMATAN

Produk ini dapat digunakan oleh anak-anak berusia 8 tahun ke atas dan orang berkemampuan fisik, sensorik, atau mental yang kurang atau kurang berpengalaman dan berpengetahuan jika mereka dibawah pengawasan atau telah diberi instruksi tentang penggunaan produk yang aman dan memahami bahaya yang dapat terjadi.

Anak-anak tidak boleh bermain dengan produk ini.

Pembersihan dan perawatan oleh pengguna tidak boleh dilakukan oleh anak-anak tanpa pengawasan.

Gunakan paket daya yang disediakan oleh pabrikan.

Hanya gunakan adaptor AC/DC yang disediakan oleh pabrikan.

Jangan gunakan produk di dekat nyala api atau abu membara.

Jangan menggunakan produk ini di ruangan dengan atmosfer yang berpotensi meledak. Jangan gunakan produk di ruangan yang mungkin terdapat bahan atau gas yang mudah terbakar.

Jangan meninggalkan produk tanpa pengawasan saat alat menyala.

Jangan gunakan produk di luar ruangan jika sedang hujan.

Jangan pernah menutup atau menghalangi kisi-kisi udara. Jangan menghalangi impeler kipas.

Jangan gunakan kipas tanpa kisi-kisi kipas atau jika kisi-kisi kipas rusak.

Gunakan hanya produk di area yang berventilasi baik.

Gunakan pakaian yang sesuai. Jangan gunakan pakaian yang longgar atau perhiasan. Pakaian yang longgar, perhiasan, dan rambut panjang dapat tertarik oleh bagian alat yang bergerak.

Baterai yang habis harus dikeluarkan dari produk dan dibuang dengan aman.

Jika produk akan disimpan dan tidak digunakan untuk waktu yang lama, baterai harus dilepaskan.

Jangan menghubungkan-singkatkan terminal baterai.

### BATERAI

Paket baterai yang belum digunakan selama beberapa waktu harus diisi kembali dayanya sebelum digunakan.

Suhu yang melebihi 50°C akan mengurangi kinerja paket baterai. Hindari paparan berkepanjangan terhadap panas atau sinar matahari (risiko panas berlebihan).

Untuk masa pemakaian optimal, paket baterai harus diisi dayanya hingga penuh setelah digunakan.

Untuk memaksimalkan masa pemakaian baterai, lepaskan paket baterai dari pengisi daya setelah terisi sepenuhnya.

Untuk penyimpanan paket baterai lebih dari 30 hari:

- Simpan paket baterai dalam kondisi terisi dayanya 30% - 50%.
- Jika penyimpanan paket baterai mencapai enam bulan, isi daya baterai seperti biasa.

Jangan membuang unit baterai bekas dalam sampah rumah tangga atau membakarnya. Distributor

MILWAUKEE menawarkan untuk mengambil baterai lama guna melindungi lingkungan kita.

Jangan menyimpan paket baterai bersama benda logam (risiko arus pendek).

Hanya gunakan pengisi daya System M18 untuk mengisi daya paket baterai System M18.

Tidak ada komponen logam yang diperbolehkan memasuki kompartemen baterai pada pengisi daya (risiko arus pendek).

Jangan sekali-kali membuka unit baterai dan pengisi daya serta hanya simpan di tempat kering. Jaga kemasan baterai dan pengisi daya tetap kering di sepanjang waktu.

Asam baterai dapat merembes dari baterai yang rusak akibat beban atau suhu yang ekstrem. Jika asam baterai mengenai Anda, segera cuci dengan sabun dan air. Jika mengenai mata, bilas sebanyak-banyaknya selama setidaknya 10 menit dan segera dapatkan penanganan medis.

#### PERINGATAN KESELAMATAN BATERAI TAMBAHAN



**PERINGATAN!** Untuk mengurangi risiko kebakaran, cedera pribadi, dan kerusakan produk akibat hubungan arus pendek, jangan pernah merendam alat, baterai atau charger Anda dalam cairan atau membiarkan cairan mengalir di dalamnya. Cairan korosif atau konduktif, seperti air laut, bahan kimia industri tertentu, dan produk pemutih atau yang mengandung pemutih, dan sebagainya, dapat menyebabkan hubungan arus pendek.

#### MENGANGKUT BATERAI LITUM

Baterai litium-ion tunduk pada persyaratan Legisiasi Barang Berbahaya.

Pengangkutan baterai ini harus dilakukan sesuai regulasi dan peraturan daerah, nasional, dan internasional.

- Baterai dapat diangkut melalui jalan darat tanpa persyaratan khusus.
- Pengangkutan komersial baterai Litium-ion oleh pihak ketiga tunduk pada peraturan Barang Berbahaya. Persiapan pengangkutan dan pengangkutan harus dilakukan oleh orang yang terlatih dan prosesnya harus didampingi oleh pakar yang terkait.

Ketika mengangkut baterai:

- Pastikan bahwa terminal kontak baterai terlindungi dan terisolasi untuk mencegah korsleting.
- Pastikan bahwa unit baterai aman dari gerakan dalam pengemasan.
- Jangan mengangkut baterai yang retak atau bocor.

Tanyakan kepada perusahaan ekspedisi untuk mendapatkan saran lebih lanjut.

#### KONEKSI MAINS

Hubungkan hanya ke tegangan sistem AC fase tunggal seperti yang diindikasikan pada pelat rating. Bisa juga dihubungkan ke stopkontak tanpa kontak pengardean karena desain ini sesuai dengan kelas keselamatan II.

Sebelum melakukan pekerjaan apa pun pada produk, cabut steker dari soket.

Pastikan produk dimatikan sebelum dicolok.

Sebelum menggunakan, periksa mesin, kabel dan steker akan adanya kerusakan atau keausan material. Perbaikan hanya bisa dilakukan oleh agen layanan resmi.

Jaga agar colokan utama tetap jauh dari jangkauan kerja produk. Selalu jauhkan kabel di belakang Anda.

Selalu lepaskan steker dari stopkontak setelah digunakan.

#### PEMELIHARAAN

Slot ventilasi produk tidak boleh tertutup sepanjang waktu.

Jika penggantian kabel pasokan diperlukan, penggantian harus dilakukan oleh pabrikan atau agennya untuk menghindari bahaya keselamatan.

Gunakan hanya aksesoris MILWAUKEE dan suku cadang MILWAUKEE. Jika komponen yang belum dijelaskan harus diganti, hubungi salah satu dari pusat layanan MILWAUKEE kami (lihat daftar alamat layanan/garansi kami).

Jika diperlukan, gambar pecahan komponen dapat dipesan. Sebutkan tipe produk dan nomor seri yang tertera pada label dan pesanalah gambarnya pada agen layanan setempat.

#### SIMBOL



PERHATIAN! PERINGATAN! BAHAYA!



Baca petunjuk dengan cermat sebelum memulai menggunakan produk.



Lepaskan paket baterai sebelum memulai pekerjaan apa pun pada produk.



Alat ini hanya cocok untuk penggunaan di dalam ruangan. Alat ini tidak boleh terkena hujan sama sekali.



Memenuhi syarat untuk iklim tropis dengan suhu ambien hingga 40° C.



Jangan membuang perkakas listrik bersama dengan material limbah rumah tangga. Perkakas listrik dan peralatan elektronik yang telah mencapai akhir masa pakainya harus dikumpulkan secara terpisah dan dikembalikan ke fasilitas daur ulang yang selaras dengan lingkungan. Tanyakan kepada pihak berwenang atau peritel setempat mengenai daur ulang dan titik pengumpulan.



Peralatan kelas II. Perlindungan terhadap sengatan listrik pada produk ini tidak bergantung hanya pada insulasi dasar, tetapi juga tindakan pengamanan tambahan, seperti insulasi ganda atau insulasi diperkuat. Tidak ada ketentuan untuk pengardean atau pengendalian protektif dalam kondisi pemasangan.



Peralatan kelas III.



Efisiensi Energi Level VI



Unit catu daya mode switch

IP20

Tingkat perlindungan yang disediakan oleh penutup



Trafo pengisolasi hubungan arus pendek

ta:40°C

Suhu ambien terukur



Simbol yang menunjukkan positif/negatif terminal keluaran



**THÔNG SỐ KỸ THUẬT****M18 AF**

Điện áp pin	18 V
Đầu vào bộ chuyển đổi AC/DC	100 - 240 V ~ 50/60 Hz/ 1,5 A
Đầu ra bộ chuyển đổi AC/DC	18 V = 2,5 A
Tốc độ phân phối không khí I	272 m <sup>3</sup> /h
Tốc độ phân phối không khí II	365 m <sup>3</sup> /h
Tốc độ phân phối không khí III	476 m <sup>3</sup> /h
Trọng lượng không tính pin	2,7 kg
Loại pin được khuyến nghị	M18B, M18B2, M18BX, M18B4, M18B5, M18B6, M18B9, M18 HB3, M18 HB6, M18 HB8, M18 HB12
Bộ sạc được khuyến nghị	M12-18C, M12-18AC, M12-18FC, M12-18C3

**Thông tin về tiếng ồn**

Giá trị phát sinh tiếng ồn được xác định theo tiêu chuẩn EN 60335.

Mức âm thanh

72 dB (A)

**⚠ CẢNH BÁO!**

Hãy đọc tất cả các cảnh báo an toàn, hướng dẫn, hình minh họa và thông số kỹ thuật đi kèm sản phẩm này.

Đọc tất cả cảnh báo an toàn và tất cả chỉ dẫn. Không tuân thủ những cảnh báo và chỉ dẫn có thể dẫn đến giật điện, hỏa hoạn và/hoặc chấn thương nghiêm trọng.

Giữ lại tất cả những cảnh báo và chỉ dẫn để tham khảo sau này.

**⚠ HƯỚNG DẪN AN TOÀN**

Trẻ em từ 8 tuổi trở lên và những người bị suy giảm khả năng thể chất, giác quan, trí não hoặc thiếu kinh nghiệm và kiến thức có thể sử dụng sản phẩm nếu có người giám sát hoặc hướng dẫn họ về cách sử dụng sản phẩm an toàn và họ hiểu rõ các mối nguy hiểm liên quan.

Không được để trẻ em chơi với sản phẩm.

Trẻ em không được làm vệ sinh và bảo trì nếu không có sự giám sát.

Sử dụng bộ nguồn do nhà sản xuất cung cấp.

Chỉ dùng bộ chuyển đổi AC/DC do nhà sản xuất cung cấp.

Không sử dụng sản phẩm gần ngọn lửa trần hoặc tro còn đang cháy.

Không sử dụng sản phẩm trong phòng có nguy cơ cháy nổ. Không sử dụng sản phẩm trong các phòng có thể có vật liệu hoặc khí dễ cháy.

Không để sản phẩm không được giám sát khi đang bật sản phẩm.

Không sử dụng sản phẩm bên ngoài nếu trời đang mưa.

Không bao giờ đóng hoặc chặn lưới thông khí. Không chặn cánh quạt.

Không sử dụng quạt mà không có lưới chắn quạt hoặc nếu lưới chắn quạt bị hỏng.

Không làm đoản mạch bộ pin.

Ăn mặc đúng cách. Không mặc quần áo rộng hoặc đeo trang sức. Quần áo rộng, đồ trang sức hoặc tóc dài có thể bị dắt vào các bộ phận chuyển động.

Cởi và xử lý thải bỏ quần áo bị phơi nhiễm.

Nếu cất giữ và không sử dụng sản phẩm trong thời gian dài, thì nên tháo pin ra.

Chỉ kết nối với dòng điện AC một pha và chỉ kết nối với điện áp hệ thống đã chỉ định trên biển thông số.

**PIN**

Các pin chưa được sử dụng trong một thời gian dài nên được sạc lại trước khi sử dụng.

Nhiệt độ vượt quá 50°C làm giảm hiệu năng của pin. Tránh tiếp xúc trong thời gian dài với nhiệt độ hoặc ánh nắng mặt trời (nguy cơ quá nhiệt).

Để có tuổi thọ tối ưu, các pin phải được sạc đầy sau mỗi lần sử dụng.

Để đảm bảo tuổi thọ pin lâu nhất có thể, hãy rút pin ra khỏi bộ sạc sau khi nó được sạc đầy.

Để bảo quản pin lâu hơn 30 ngày:

- Bảo quản pin trong điều kiện sạc 30% - 50%
- Sau mỗi 6 tháng bảo quản, sạc pin như bình thường.

Không thải bỏ các bình ắc quy cũ theo rác thải sinh hoạt hoặc đốt chúng. Các nhà phân phối MILWAUKEE đề nghị được lấy lại các pin cũ để bảo vệ môi trường của chúng ta.

Không bảo quản pin cùng với vật dụng kim loại (nguy cơ ngắn mạch).

Chỉ sử dụng các bộ sạc M18 System để sạc pin M18 System.

Không để các chi tiết kim loại đi vào phần chứa pin của bộ sạc (nguy cơ ngắn mạch).

Không bao giờ phá vỡ các bình pin và bộ sạc, và chỉ bảo quản chúng trong các phòng khô. Luôn đảm bảo các bình pin và bộ sạc được khô.

Axit trong pin có thể rò rỉ từ pin bị hư hại trong điều kiện nhiệt độ khắc nghiệt hoặc tải quá nặng. Nếu bị tiếp xúc với axit trong pin, hãy rửa ngay lập tức bằng xà phòng và nước. Trong trường hợp axit tiếp xúc với mắt, hãy rửa sạch trong ít nhất 10 phút và ngay lập tức đi khám bác sĩ.

### CÁC CẢNH BÁO AN TOÀN BỔ SUNG CHO PIN

**⚠ CẢNH BÁO!** Để giảm nguy cơ hỏa hoạn, chấn thương cá nhân và hư hại sản phẩm do ngắn mạch, không bao giờ nhúng sản phẩm, pin hay bộ sạc trong chất lỏng hoặc cho phép chất lỏng xâm nhập vào chúng. Các chất lỏng ăn mòn hoặc dẫn điện, ví dụ như nước biển, một số hóa chất công nghiệp, và chất tẩy hoặc sản phẩm chứa chất tẩy, v.v., đều có thể gây ngắn mạch.

### VẬN CHUYỂN PIN LITHIUM

Các bình pin lithium-ion cần tuân thủ Luật về Hàng hóa Nguy hiểm.

Việc vận chuyển các pin này phải được thực hiện theo các điều kiện và quy định của địa phương, quốc gia và quốc tế.

- Pin có thể được vận chuyển bằng đường bộ mà không có yêu cầu nào khác.
- Việc vận chuyển thương mại pin lithium-ion bởi các bên thứ ba cần tuân thủ quy định về Hàng hóa Nguy hiểm. Việc chuẩn bị vận chuyển và vận chuyển cần được thực hiện bởi những người được đào tạo phù hợp và quy trình này phải được giám sát bởi các chuyên gia trong ngành.

Khi vận chuyển pin:

- Đảm bảo các đầu tiếp xúc của pin được bảo vệ và cách điện để ngăn ngắn mạch.
- Đảm bảo pin được cố định để không di chuyển trong bao bì.
- Không vận chuyển các pin bị nứt hoặc rò rỉ.

Kiểm tra với công ty chuyển tiếp để được tư vấn thêm.

### NÓI ĐIỆN

Chỉ kết nối với điện áp hệ thống AC một pha theo chỉ định trên biển thông số. Cũng có thể cắm vào các ổ cắm mà không nối đất do thiết kế phù hợp với độ an toàn loại II.

Trước khi tiến hành bất cứ tác vụ nào lên sản phẩm, hãy kéo phích cắm ra khỏi ổ.

Hãy chắc chắn tắt công tắc sản phẩm trước khi cắm điện.

Trước khi sử dụng, hãy kiểm tra sản phẩm, dây cáp và phích cắm xem có bất kỳ hư hỏng hoặc hiện tượng môi vật liệu nào không. Chỉ nên để các đại lý bảo dưỡng được ủy quyền thực hiện sửa chữa.

Giữ dây dẫn điện sạch sẽ ngoài phạm vi hoạt động của máy. Luôn dẫn dây cáp ra phía sau bạn.

Luôn rút phích cắm ra khỏi ổ cắm sau khi sử dụng.

### BẢO TRÌ

Các khe thông gió của sản phẩm lúc nào cũng phải sạch sẽ.

Nếu cần thay thế dây cáp nguồn, việc này phải được nhà sản xuất hoặc đại lý tiến hành để tránh nguy hiểm về an toàn.

Chỉ sử dụng các phụ kiện và phụ tùng của MILWAUKEE. Không được thay thế các thành phần theo những cách không được mô tả ở đây, vui lòng liên hệ một trong những đại lý dịch vụ MILWAUKEE của chúng tôi (xem danh sách địa chỉ bảo hành/dịch vụ của chúng tôi).

Nếu cần, có thể yêu cầu xem hình vẽ mô tả chi tiết các bộ phận. Vui lòng nêu rõ số sê-ri cũng như loại sản phẩm được in trên nhãn và yêu cầu bản vẽ tại các trung tâm dịch vụ địa phương của bạn.

### BIỂU TƯỢNG



**CHÚ Ý! CẢNH BÁO! NGUY HIỂM!**



Vui lòng đọc cẩn thận hướng dẫn trước khi sử dụng máy.



Tháo pin trước khi bắt đầu thao tác với sản phẩm.



Sản phẩm chỉ phù hợp để sử dụng trong nhà. Không bao giờ cho sản phẩm ra ngoài trời mưa.



Đủ điều kiện dùng trong môi trường khí hậu nhiệt đới có nhiệt độ môi trường xung quanh lên đến 40°C.



Không vứt bỏ dụng cụ điện cùng với rác thải gia đình. Phải thu gom riêng các dụng cụ điện và thiết bị điện đã đạt tới giới hạn vòng đời và chuyển tới cơ sở tái chế phù hợp với môi trường. Xác nhận với chính quyền địa phương hoặc nhà bán lẻ để được tham vấn về việc tái chế và điểm thu gom.



Dụng cụ loại II Một sản phẩm trong đó việc bảo vệ chống sốc điện không phụ thuộc thuần túy vào việc cách điện mà trong đó bao gồm các biện pháp phòng ngừa an toàn bổ sung như cách điện 2 lớp hoặc cách điện tăng cường. Không có quy định nào cho việc nối đất bảo vệ hay đảm bảo tùy theo điều kiện lắp đặt.



Dụng cụ loại III



Mức Hiệu Quả Năng Lượng VI



Chuyển đổi chế độ bộ cấp nguồn

IP20

Mức độ bảo vệ mà vỏ ngoài đem lại



Máy biến áp cách ly an toàn chống  
đoán mạch

ta:40°C

Nhiệt độ môi trường xung quanh định  
mức



Biểu tượng cho biết cực dương/cực  
âm của đầu nối ra

# 取扱説明書

## M18™ 扇風機

MODEL : M18 AF

### もくじ

はじめに .....	29
重要なお知らせ .....	29
本製品の使用目的 .....	29
保証 / 免責について .....	29
アフターサービスについて .....	29
オプション品について .....	29
仕様 .....	30
本製品のラベルについて .....	31
安全上のご注意 .....	32
表示と記号について .....	32
電動工具の取り扱いに関する安全事項 .....	32
騒音防止規制について .....	35
本製品の取り扱いに関する安全事項 .....	36
充電器・バッテリーの安全事項 .....	37
バッテリーを未永く使用するために .....	40
バッテリーの保護機能について .....	40
リチウム電池の輸送について .....	40
リチウム電池のリサイクルについて .....	40
各部のなまえ・機能 .....	42
本体 .....	42
充電器 .....	44
バッテリー .....	46
使い方 .....	47
充電方法 .....	47
バッテリーの取付け方 / 取外し方 .....	48
電源スイッチの使い方 .....	49
風向の調整方法 .....	50
メンテナンス .....	51
お手入れについて .....	51
困ったときは .....	52
故障かな?と思ったときは .....	52
お問い合わせ先 .....	53

---

この度は弊社製品をお買い上げいただきましてありがとうございます。

- 本製品をご使用になる前に、この取扱説明書をよくお読みください。
  - この取扱説明書をお読みになったあとは、いつでも読むことができる場所に、大切に保管してください。
-

## 重要なお知らせ

- 本製品は、この取扱説明書に記載の使用方法、安全に関する指示事項を守ってお使いください。ご不明な点やアフターサービスについては、最寄りの弊社サービスハブにお問い合わせください。
- 本製品は、電動工具の使用経験や知識に乏しい人や、正しい操作ができない人が使用したり、触れたりすることを意図して設計されていません。該当者が作業する場合は、然るべき責任者が、安全で正しい本製品の使用方法を指導し、この責任者の管理および監督下において実施してください。なお、子供に対しては、いかなる場合においても本製品を使用したり、触ったりすることのないように厳重に保管してください。
- 本製品を本来の使用目的以外で使用しないでください。本来の使用目的以外で使用したり、この取扱説明書に記載されていない方法で使用した場合の安全性や性能は、保証できません。
- 本製品を譲渡や転売、貸与される場合は、必ずこの取扱説明書も相手の方にお渡しください。
- この取扱説明書の著作権は、弊社が所有しています。この取扱説明書の全体または一部を弊社の事前の文書による同意なしに複写、編集、翻訳しないでください。また、読み取りのできるいかなる電子装置や機器(スキャナーなど)にも転写しないでください。
- この取扱説明書を紛失や損傷された場合は、速やかにご購入の販売店、または弊社にご連絡ください。
- 本製品を廃棄する場合は、各国・自治体の法令/条例に従って廃棄してください。
- この取扱説明書で説明している図やイラストは、抽象化/省略化している部分があります。

## 本製品の使用目的

本製品は、電源ケーブルによる電気の供給を受けることなく、電動で送風する目的で設計されています。

## 保証 / 免責について

保証事項については、保証書に記載されています。本製品が故障した場合は、保証書の記載事項に従って修理いたします。

免責事項については、下記のとおりです。

- お客様の誤った使い方、取扱説明書に記載されていない使い方に起因する損害について、弊社は一切の責任を負いません。
- 本製品の品質・機能、および取扱説明書に関して、お客様の使用目的に対する適合性、市場性などについて、弊社は一切の保証をいたしません。また、本製品を使用した作業の結果や、そこから生じる直接的・間接的損害に対しても責任を負いません。
- 本製品、および取扱説明書を使用して得られる結果について、弊社は一切の保証をいたしません。

## アフターサービスについて

修理は保証書に記載した最寄りの弊社サービスハブにご相談ください。

交換部品については、弊社の純正品をご使用ください。部品の購入については、ご購入の販売店、または最寄りの弊社サービスハブにご連絡ください。

なお、本製品に関するお問い合わせは、インターネットからでも可能です。下記のURLからお問い合わせください。

[www.milwaukeetool.co.jp](http://www.milwaukeetool.co.jp)

## オプション品について

本製品でご利用可能なオプション品については、最寄りの弊社サービスハブ、または弊社にお問い合わせください。

※充電器とバッテリーは、キット版をお買い上げの場合に付属します。キット版でない場合は、別途お問い合わせください。

# はじめに

## 仕様

### 本体の仕様

風量	モード「Ⅰ」	272 m <sup>3</sup> /min
	モード「Ⅱ」	365 m <sup>3</sup> /min
	モード「Ⅲ」	476 m <sup>3</sup> /min
電源電圧 (DC電源モード時)	バッテリー電圧	18 V
	入力電流	2.5 A
ACアダプター出力電圧 (本製品にACアダプターは付属しません。)		DC18 V (2.5 A)
質量 (バッテリー非装着時)		2.7 kg
推奨動作温度		-18°C - +50°C
適合するバッテリーの型式		M18 バッテリー
適合する充電器の型式		M18バッテリー用充電器

### 騒音情報 (EN 60335に準拠した正常時の測定値)

騒音音圧レベル (A特性)	72 dB(A)
---------------	----------

### お知らせ:

下記に記載した充電器とバッテリーは、キット版をお買い上げの場合に付属します。キット版でない場合は、別途お買い求めください。

### 充電器の仕様

型式	M12-18FC 充電器
入力電圧	単相AC100 V (50/60 Hz)
出力電圧	18 V
充電電流	6 A
充電時間 (2.0 Ahバッテリー充電時)	約26分 (※2)
質量	703 g

※2: 充電時間は目安です。バッテリーの状態や周囲温度によって、充電時間は長くなる場合があります。

### バッテリーの仕様

型式	M18 バッテリー
出力電圧	18 V

その他、定格値などについては、バッテリー本体のラベルを参照してください。

## 本製品のラベルについて

本製品のラベルには、下記のマークが含まれることがあります。

### 本体に記されたマークとその内容



…… 危険/警告/注意マークです。



…… 取扱説明書をお読みください。



作業前の調整時や保守・点検時は、  
…… 本体からバッテリーを取り外してください。

電動工具、充電器、バッテリーを廃棄する場合は、各国・自治体の法令/条例に従って廃棄してください。



…… リチウム電池（バッテリー）は、リサイクルできる資源です。使用済みのリチウム電池は、リサイクルのために弊社で回収しています。



…… 屋内での使用に限りです。



…… クラスIIIの感電保護マークです。



…… 二重絶縁マークです。



…… 定格周囲温度マークです。  
（数値は製品により異なります）



…… エネルギー効率レベルマークです。



…… 電源ユニットのスイッチマークです。



…… 保護クラス（防水性能）マークです。



…… 短絡防止付き安全絶縁トランスマークです。



…… 出力端子のプラス極/マイナス極マークです。

### 充電器に記されたマークとその内容



…… 取扱説明書をお読みください。



…… バッテリーを焼却しないでください。



…… 破損したバッテリーは使用せず、新しいバッテリーに交換してください。



電動工具、充電器、バッテリーを廃棄する場合は、各国・自治体の法令/条例に従って廃棄してください。



…… リチウム電池（バッテリー）は、リサイクルできる資源です。使用済みのリチウム電池は、リサイクルのために弊社で回収しています。



…… 屋内での使用に限りです。



…… タイムラグ型ヒューズマークです。  
（数値は製品により異なります）



…… 二重絶縁マークです。

### バッテリーに記されたマークとその内容



…… 電圧マークです。







…… 直流マークです。

# 安全上のご注意

## 表示と記号について


この取扱説明書では、お使いになる人や他の人への危害/物的損害を未然に防止するため、必ずお守りいただくことを下記の表示と記号を使って説明しています。表示と記号の意味をよく理解した上で、本文をお読みください。

■ 誤った使い方をしたときに生じる内容を、下記の表示で説明しています。		■ お守りいただく内容を、下記の記号で説明しています。	
 <b>警告</b>	守らなければ、死亡または重傷を負う恐れがある内容です。		行為を強制したり、指示する内容を告げています。
 <b>注意</b>	守らなければ、傷害を負う恐れがある内容です。		禁止の行為であることを告げています。
<b>注意</b>	守らなければ、物的損害の恐れがある内容です。	「お知らせ」は、有益な情報に関する内容です。	







## 電動工具の取り扱いに関する安全事項

本製品は電動工具です。ここでは、電動工具の取り扱いに関する安全事項について説明しています。死亡や重傷、損害を防止するため、必ずお守りください。

### **警告**

-  **この取扱説明書に記載されている事項をよく読み理解し、遵守する**  
遵守しない場合は、死亡または重傷を負う恐れがあります。

### 作業環境に関する安全事項

-  **作業場は整理整頓し、明るくする**  
整理整頓されていない暗い作業場や作業台は、転倒による負傷や製品材料の破損・損害を誘発させる原因になります。
-  **作業する箇所に、電線、水道管、ガス管などが無いことを十分確認し、これらに接触したり破損させないように作業する**  
接触したり破損させると、感電・ショート・破裂・爆発・火災の恐れがあります。
-  **可燃性の液体、ガス、粉塵のある場所で使用しない**  
電動工具や加工物から発生する火花により、発火や爆発の恐れがあります。
-  **健康を害する可能性のある材料の近くで作業しない**  
材料から出る物質により、健康を害する恐れがあります。
-  **作業中は、子供や第三者を作業場に近づけない**  
注意が散漫になり、作業に集中できなくなる恐れがあります。
-  **集塵機が接続できる電動工具では、集塵機を接続する**  
集塵機を利用することで、粉塵による健康被害を低減させることができます。





## 警告

### 電気に関する安全事項



#### 金属製のパイプや暖房器具、電子レンジ、冷蔵庫など、アースされている物に体が触れないように注意する

触れると、感電する恐れがあります。



#### 電動工具を濡らさない

内部に液体が浸入すると、ショート（短絡）や感電の恐れがあります。雨にさらしたり、湿度の高い場所、濡れた場所で使用しないでください。

### 作業者に関する安全事項

#### 作業に集中し、安全に対して注意する

注意を怠ると、事故につながる恐れがあります。



疲労していたり、薬物やアルコールを摂取している方は、電動工具を使用しないでください。また、夜間や悪天候で視界が不十分な場合も、電動工具を使用しないでください。

電動工具を使用するときは、周囲に子供や第三者が近づかないように注意して作業を行ってください。



#### 作業時は適切な保護具を着用する

必要に応じて、保護メガネ、耳栓、防塵マスク、ヘルメット、安全靴などで体を保護してください。保護具で体を保護しない場合は、傷害を引き起こす原因になります。



#### 無理のない姿勢で作業する

無理のある姿勢では、負傷する恐れがあります。常に足元をしっかりと安定させ、体のバランスを保つようにしてください。



#### 高所作業時は、転落しないように注意し、下に人が居ないことを確認する

注意を怠ると転落したり、材料や工具などを落とした場合は、事故につながる恐れがあります。

#### 適切な服装で作業する

不適切な服装により、回転部に巻き込まれたり、負傷する恐れがあります。特に、下記の点について注意してください。



- 袖口はとめ、体にフィットした服装を着用してください。
- 長い髪はまとめ、帽子を着用してください。
- 安全靴を着用してください。
- ネクタイやネックレスなどの装飾品は、着用しないでください。

## 警告

### その他、電動工具の使用に関する安全事項

#### 電動工具の全ての部品や機能に異常がないことを点検する

異常がある場合は、使用中に負傷する恐れがあります。可動部の調整具合、締付け状態、取付け状態、破損状態などの全てについて点検してください。



傷や異常が見つかった場合や故障している場合は、直ちに使用を中止し、最寄りの弊社サービスハブまで、必ず点検・修理を依頼してください。

※軽微な部品交換など、お客様ご自身が整備される場合は、最寄りの弊社サービスハブにご相談ください。

#### 作業前は、電動工具に損傷やスイッチ機能（始動 / 停止）の異常がないことを確認する



損傷や異常がある場合は、使用中に負傷する恐れがあります。直ちに使用を中止し、最寄りの弊社サービスハブまで、必ず点検・修理を依頼してください。

#### 作業に適した能力を有する電動工具で作業する



安全に効率よく作業をするために、作業に適した能力を有する電動工具で作業してください。電動工具に無理な負荷がかかる作業は、おやめください。

#### 電動工具を使用しないときの誤始動を防止する

電動工具が不意に始動すると、負傷する恐れがあります。下記の場合は、スイッチをオフにし、バッテリーを電動工具から取り外してください。



- 電動工具を調整する場合
- 工具（刃物、砥石、ビットなど）を交換する場合
- 保管や修理を行う場合
- その他、危険が予測される作業の場合

#### バッテリー装着時の電動工具の不意な始動を避ける

電動工具が不意に始動すると、負傷する恐れがあります。不意な始動を防止するため、下記の事項を遵守してください。



- バッテリーを電動工具に装着する前は、電動工具のスイッチがオフになっていることを確認してください。
- 電動工具のスイッチに指を掛けた状態で持ち歩かないでください。

#### 電動工具は、使い方を熟知した方のみが使用する



使い方を知らない場合は、負傷する恐れがあります。子供や使い方を知らない方が、電動工具を触らないように注意してください。


#### 工具、アクセサリ、アタッチメントなどは、作業条件や作業内容に合わせて適切な物を選び、確実に取り付ける




不適切な工具を使用したり、取り付けが不確実な場合は、負傷する恐れがあります。

## 警告

### 電動工具のスイッチをオンする前に、調整キーやレンチなどを取り外す

-  電動工具のスイッチをオンした途端に調整キーやレンチなどが回転し、負傷する恐れがあります。

### 電動工具の握り部に油やグリスなどが付着していないことを確認する


-  異物が付着している場合は、手が滑らないようにしっかりと、拭き取ってください。電動工具を落とすと、負傷する恐れがあります。

### 慣れている電動工具でも、注意して作業する


-  注意を怠ると、負傷する恐れがあります。

## 電動工具の保守 / 保管に関する安全事項


### 電動工具からバッテリーを取り外して保管する

-  不意な始動により、思わぬ事故の原因になります。不意な始動を防止するため、バッテリーを取り外してから保管してください。

### 電動工具は、直射日光が当たる場所、温度や湿度の高い場所、液体がかかる場所、子供の手が届く場所に保管しない

-  保管場所が不適切な場合は、劣化に伴う故障、使用中の発熱・発火、負傷の原因になります。


### 電動工具を改造したり、分解しない

-  改造や分解は、電動工具の安全性を損う恐れがあります。また、保証の対象外になります。

## 騒音防止規制について

## 注意

### 騒音に配慮する

-  騒音は、近隣の迷惑になります。騒音規制については、各国・自治体の法令 / 条例に従い、規制値以下で作業する必要があります。状況に応じて、遮音壁などを設置し、作業してください。

# 安全上のご注意

## 本製品の取り扱いに関する安全事項

ここでは、本製品特有の取り扱いに関する安全事項について説明しています。「電動工具の取り扱いに関する安全事項」と共に、必ずお守りください。

### 警告



#### ファングリルは必ず取り付け、ファングリルが損傷していないことを確認してから使用する

ファングリルを取り外して使用したり、ファングリルが損傷している場合は、回転するファンに接触し、負傷する恐れがあります。



#### 揮発性物質の近くで使用しない

揮発性物質が吸気口に吸い込まれ、火災・爆発の恐れがあります。



#### 火がついている物や、熱い灰の近くで使用しない

これらの物質が風で飛ばされ、火災の恐れがあります。



#### 本製品を雨が降ったり、水が溜まる恐れのある場所、不安定な場所に設置しない

雨や水がかかったり、水が溜まる恐れのある場所、不安定な場所に設置すると、感電や本製品の転倒による負傷の恐れがあります。



#### ファングリルの中に手や指、物を入れない

回転するファンに接触し、負傷する恐れがあります。



#### 使用時は、吸気口から離れる

吸気口に近づくと、吸気口に吸い込まれる恐れがあります。特に、長い髪の人やネックレスなどの装飾品を付けている人、ダブつきのある手袋や服などを着用している人は、十分注意してください。



#### 使用中は、ヘッドに布をかけたり、吸気口をふさいだりしない

布がファンに巻き込まれたり、本製品が発熱するなどし、事故の原因になります。



#### 使用中は、本製品を放置しない

本製品を使用中に放置して無人にすると、本製品が何らかの原因で転倒するなどした場合には、事故の原因になります。



#### 長時間にわたり、風を体にあてない

健康を害する原因になります。

## 充電器・バッテリーの安全事項

ここでは、充電器・バッテリーの取り扱いに関する安全事項について説明しています。必ずお守りください。



**警告**

### 充電器・バッテリーの使用 / 取り扱いに関する安全事項

#### 損傷した充電器やバッテリーは使用しない



発熱・発火・火災・感電の恐れがあります。また、バッテリーが発火した場合には、有害ガスや粉塵が発生する恐れがあります。

破損したバッテリーの処分については、お買い上げの販売店、または最寄りの弊社サービスハブにご相談ください。充電器やバッテリーを廃棄する場合は、お住まいの地域の条例 / 規則などに従ってください。

#### 充電器やバッテリーの異常・故障時は、直ちに使用を中止する

使用を継続すると、感電・ショート・発煙・火災の恐れがあります。

＜異常・故障例＞



- 電源プラグ、電源ケーブルが異常に熱い、損傷している（充電器の場合）
- 液漏れ（バッテリーの場合）
- 変形したり、割れたりしている
- 煙が出たり、焦げ臭かったり、異常に熱いなど

このような場合は、直ちに使用を中止し、最寄りの弊社サービスハブまで、必ず点検・修理を依頼してください。



#### 充電器やバッテリーを改造したり、分解しない

遵守しない場合は、発火・感電・液漏れの原因になります。



#### 充電器やバッテリーの端子をショート（短絡）させない

遵守しない場合は、発熱・発火・火災の恐れがあります。また、使用時や携行時のショート（短絡）を防止するために、充電器やバッテリーを金属（硬貨、鍵、釘など）と一緒に取り扱わないでください。



#### 充電器やバッテリーを液体に浸したり、充電器やバッテリーに液体をかけたらない

液体（水、海水、化学薬品、漂白剤やその他の液体など）に浸したり、内部に液体が浸入すると、ショート（短絡）を引き起こし、発熱・発火・火災の恐れがあります。



#### 充電器やバッテリーを落としたり、衝撃を与えない

遵守しない場合は、発熱・破裂の恐れがあります。

釘を刺したり他の工具などの鋭利なものによる衝撃、落下による衝撃、重量物の下敷きになるなど、過大な衝撃、振動や加重のかかった充電器やバッテリーは使用しないでください。

## 警告

### 充電時は、下記に注意する

遵守しない場合は、火災・感電・破裂の恐れがあります。



- 水滴がかからず、可燃性物質（可燃性ガス/粉塵/液体/紙・布類）のない換気のよい場所で充電してください。
- 火の近くや炎天下など高温の場所、湿度の非常に高い場所で充電しないでください。
- 充電中は、バッテリーを布などで覆わないでください。
- 子供を近付けないでください。

### 充電器の使用 / 取り扱いに関する安全事項



#### 非充電式のバッテリーは充電しない

指定した弊社のバッテリー以外は充電しないでください。指定されていないバッテリーを充電すると、火災・破裂・液漏れの恐れがあります。



#### 充電器の電源プラグは、ぬれた手で抜き差ししない

遵守しない場合は、火災・感電の恐れがあります。



#### 充電器の電源ケーブルや電源プラグが損傷していたり、コンセントの差し込みがゆるいときは使わない

遵守しない場合は、感電・ショート・発火の恐れがあります。



#### 充電器の電源ケーブルを傷つけない

遵守しない場合は、感電・ショート・発火の恐れがあります。

無理に曲げたり、引っ張ったり、ねじったり、高温部に近づけたり、重たいものをのせたり、加工したりしないでください。



#### 充電器の通電中は、充電器の通気口をふさがない

遵守しない場合は、充電器内部が高温になり、発熱・発火・火災の恐れがあります。



#### 充電が終わったら、充電器の電源プラグをコンセントから抜く

不意な事故を予防するために、充電が終わったら、充電器の電源プラグをコンセントから抜いてください。

### バッテリーの使用 / 取り扱いに関する安全事項



#### バッテリーは指定した充電器で充電する

他の充電器を使用したり、電源プラグやシガーソケットなどから直接充電したりすると、火災・発熱・破裂・液漏れの恐れがあります。



#### バッテリーは指定された電動工具でのみ使用する

互換性のない機種で使用すると、火災・発熱・破裂・液漏れをする恐れがあります。

## 警告



### **バッテリーを火中に投入したり、加熱しない**

遵守しない場合は、火災・破裂の恐れがあります。

## 充電器・バッテリーの保守 / 保管に関する安全事項

### **外観に異常がないことを点検し、異物が付着している場合は拭き取る**

傷や異常が見つかった場合は、直ちに使用を中止し、必ず点検・修理を依頼してください。



- 充電器やバッテリーを油や有機溶剤などで拭かないでください（樹脂部品の破損、劣化により液漏れなどが発生し、負傷の原因につながります）。
- 充電器の通気口に埃などが付着している場合は、取り除いてください（埃などで充電器内部の通気が不十分になることで、通電中に高温になり、発熱・発火・火災の恐れがあります）。

### **バッテリーから液漏れしている場合には、その液に触れたり、目に入らないように注意する**

バッテリー液は、健康障害を引き起こす原因になります。液漏れしているバッテリーは、ゴム製の手袋などを着用し、手を保護してから適切に処分してください。



もしも触れたり、目に入った場合は、下記のように対処してください。

- 触れた場合：直ちに石鹸と水道水で液を洗い落とし、酢ですすぎ流してください。
- 目に入った場合：直ちに水道水で目を20分以上すすぎ、医師の診察を受けてください。
- 衣服に付着した場合：直ちに衣服を脱ぎ、処分してください。

### **充電器やバッテリーは、直射日光が当たる場所、温度や湿度の高い場所、液体がかかる場所、子供の手が届く場所で保管したり、使用や携行したりしない**



保管場所が不適切な場合は、劣化に伴う故障・発熱・発火、感電の原因になります。また、保管時のショート（短絡）を防止するために、充電器やバッテリーを金属（硬貨、鍵、釘など）と一緒に保管しないでください。

- バッテリーは、130℃以上の温度や火にさらすと、爆発する恐れがあります。

## 安全上のご注意

### バッテリーを末永く使用するために

バッテリーを末永く使用するために、下記の事項をお守りください。適正な環境下で保管されたバッテリーは、保管後約1年間は通常の性能を発揮するように製造されています。

- バッテリーを100%に充電してから保管してください。
- 50°C以上の高温下での長期間の保管は避けてください（バッテリー電力低下の原因につながります）。
- 湿度が高い場所は、金属部品の錆や腐食の原因になります。
- 長期間使用していないバッテリーは、充電してから使用してください。

### バッテリーの保護機能について

使用中の電動工具に対して非常に高い駆動負荷が継続したり、ショート（短絡）が発生した場合は、電動工具に高い電流が流れます。

電動工具に高い電流が流れた場合、約2秒間本体が振動した後、バッテリーの保護のため、電動工具の電源はオフになりモーターは停止します。この場合はトリガーを放すことで、保護機能は解除されます。

また、極端な状況下では、バッテリーの内部温度が高くなりすぎる可能性があります。この場合、バッテリーの保護のため、電力が遮断されます。この場合はバッテリーを充電器に置いて充電することで、保護機能は解除されます。

### リチウム電池の輸送について

電力量が100 Whを超えるリチウム電池（バッテリー）は、危険物に分類されます。

このリチウム電池の輸送については、各国・自治体の法令/条例、運送会社、輸送会社などの規程等に従う必要があります。詳しくは、運送会社、輸送会社などにお問い合わせの上、その指示に従ってください。

### リチウム電池のリサイクルについて



リチウム電池（バッテリー）は、リサイクルできる資源です。

使用済みのリチウム電池は、リサイクルのために弊社で回収しています。お買い上げの販売店、または最寄りの弊社サービスハブまで持参ください。



**警告**

**不要になったリチウム電池（バッテリー）は、一般家庭ゴミとして廃棄しない**



リチウム電池がゴミ収集車内などで破裂・ショート（短絡）し、発火・発煙の恐れがあります。

また、発火した場合や焼却した場合には、有害ガスなどが発生する恐れがあります。

バッテリーを廃棄する場合は、お住まいの地域の条例 / 規則などに従ってください。



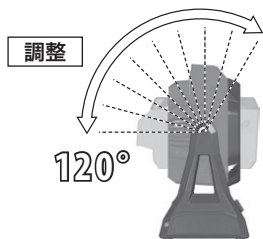
- MEMO -

# 各部のなまえ・機能

## 本体

### ヘッド

ヘッドの向きは調整できます。  
風向の調整方法：☞ 22 ページ



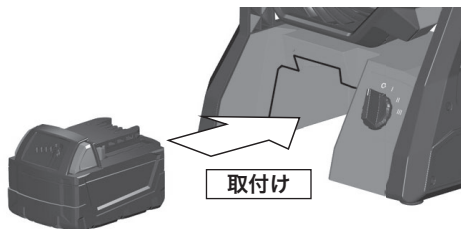
120°

### ファン

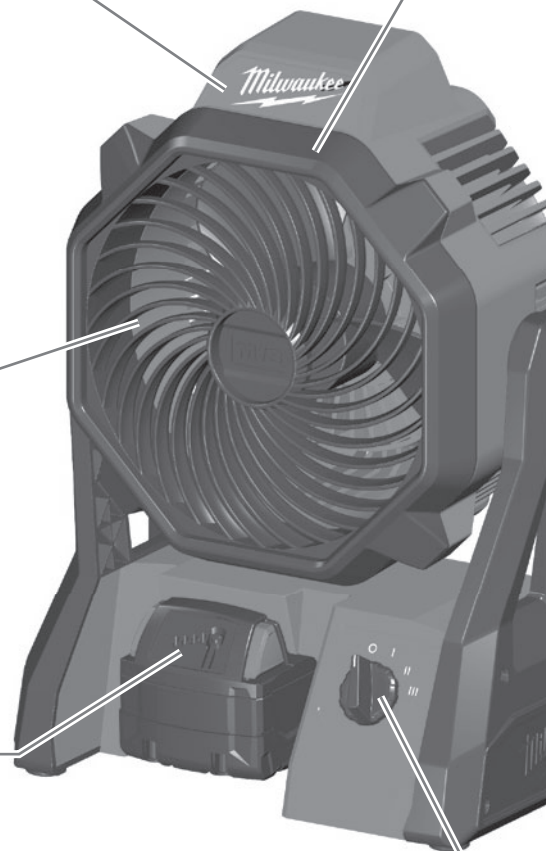
### ファンガード

### バッテリー

バッテリーの取付け方 / 取外し方：  
☞ 20 ページ



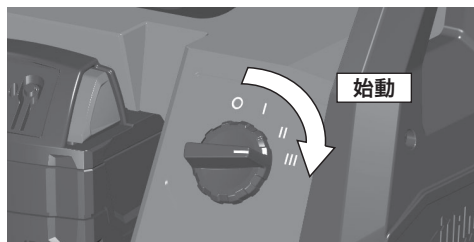
取付け



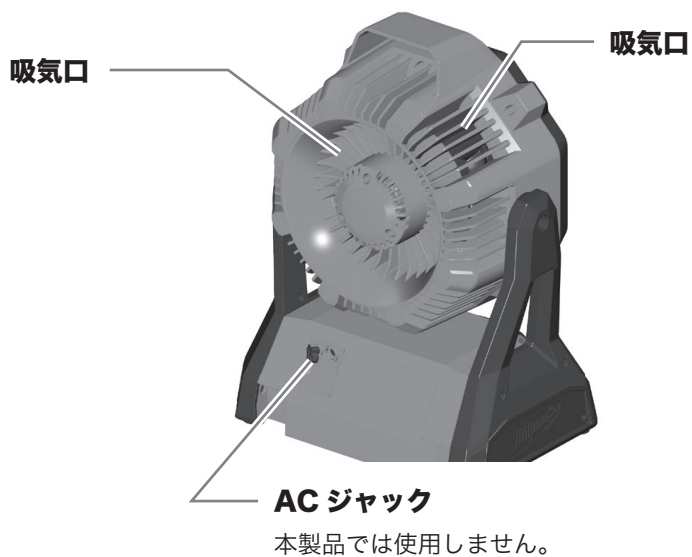
### 電源スイッチ (風量切替え付き)

ファンを回転させたり、風量を切り替えたりするときに使います。

電源スイッチの使い方：☞ 21 ページ



始動



# 各部のなまえ・機能

## 充電器

### お知らせ:

充電器は、キット版をお買い上げの場合に付属します。  
キット版でない場合は、別途お買い求めください。

### 充電ランプ (M12 バッテリー用)

M12 バッテリーの充電時に点灯 / 点滅します  
(☞ M12 バッテリー用の機能について)。

ランプの状態	内容
赤点灯	充電中
緑点滅	80%の充電完了
緑点灯	100%の充電完了
赤と緑の点滅	バッテリーの異常・差込み不良
赤点滅	バッテリーの温度異常 (※1)

※1: バッテリーの温度が0~55℃の範囲にない場合は、充電の待機状態になります。0~55℃の範囲になると自動的に点滅から点灯に変わり、充電が始まります。

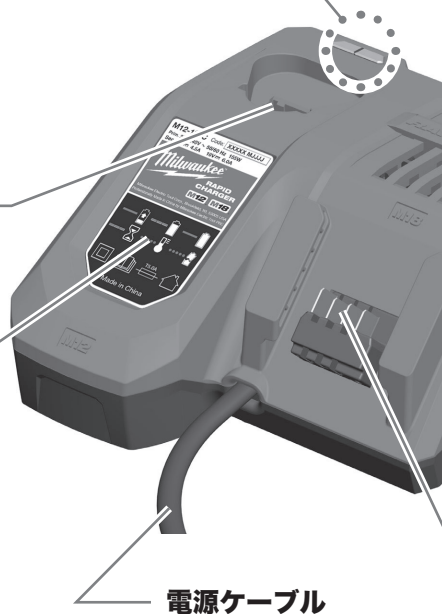
### バッテリーマウント部(M12 バッテリー用)

M12 バッテリーの充電時、ここに M12 バッテリーを差し込みます (☞ M12 バッテリー用の機能について)。

### 充電モニターランプ

バッテリーの充電時に点灯 / 点滅します。

	ランプの状態	内容
	赤点灯	充電中
	緑点滅	まもなく充電完了
	緑点灯	100%の充電完了
	赤と緑の点滅	バッテリーの異常・差込み不良、充電器の異常
	赤点滅	バッテリーの温度異常 (※1、※2)
	赤点滅	充電準備中



### M12バッテリー用の機能について:

本キット版は、18V仕様です。  
従って、本キット版のM18バッテリーに対しては、M12バッテリー用の機能をご利用いただけません。本キット版以外に、弊社製M12バッテリーをお持ちの場合は、M12バッテリーの充電ができます。

## 充電ランプ (M18 バッテリー用)

M18 バッテリーの充電時に点灯 / 点滅します。

ランプの状態	内容
赤点灯	充電中
緑点滅	80%の充電完了
緑点灯	100%の充電完了
赤と緑の点滅	バッテリーの異常・差込み不良
赤点滅	バッテリーの温度異常 (※2)

※2: バッテリーの温度が0~65℃の範囲にない場合は、充電の待機状態になります。0~65℃の範囲になると自動的に点滅から点灯に変わり、充電が始まります。

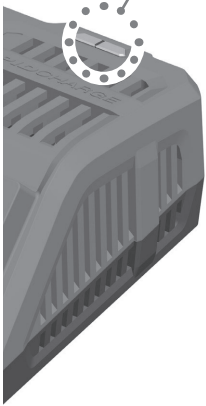
### お知らせ:

バッテリー側にあるバッテリー残量チェックボタンを押すことで、バッテリー側のランプでも充電状態を確認することができます (M18バッテリーのみ)。

ただし、この場合、バッテリー残量チェックボタンを押してから1分間が経過するまでは、充電器からバッテリーを取り外さないでください (取り外した場合は、表示が不正確になります)。



M18バッテリー



## バッテリーマウント部(M18 バッテリー用)

M18 バッテリーの充電時、ここに M18 バッテリーを差し込みます。

充電方法: 19 ページ

ランプの状態	充電状態
	充電0 %
	充電10 %未満
	充電10~32 %
	充電33~54 %
	充電55~77 %
	充電78~100 %

### お知らせ:

本製品は、M12バッテリーとM18バッテリーを同時にセットして充電することができます。この場合、最初にセットした側のバッテリーから充電されます。

# 各部のなまえ・機能

## バッテリー

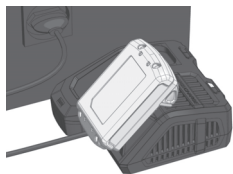
### お知らせ:

- バッテリーは、キット版をお買い上げの場合に付属します。キット版でない場合は、別途お買い求めください。
- 新品時や長期間保管していたときは、充電してからお使いください。

※ イラストは、代表的なバッテリーのイメージです。実際の外観は、購入されたバッテリーの形状によって異なります。



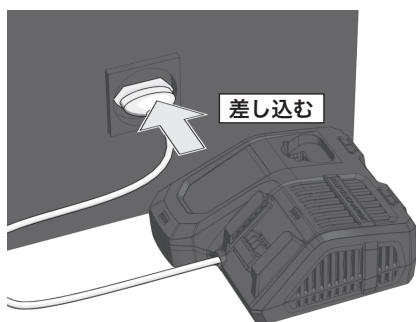
## 充電方法



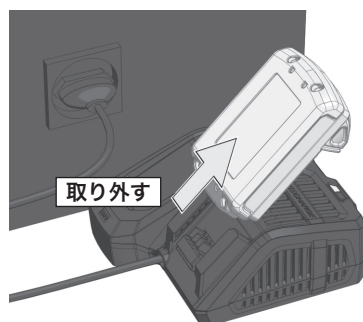
### お知らせ:

充電状態は、「各部のなまえ・機能」(☞ 17ページ)に記載したランプで適宜確認してください。

- 1** 充電器の電源プラグを AC コンセントに差し込む。

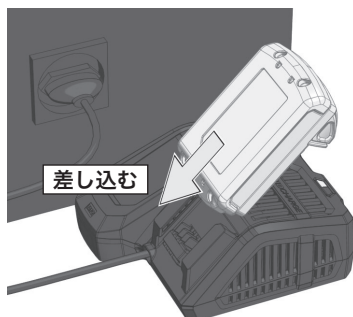


- 3** 充電が完了したら、バッテリーを取り外す。



- 2** バッテリーマウント部に、バッテリーを差し込む。

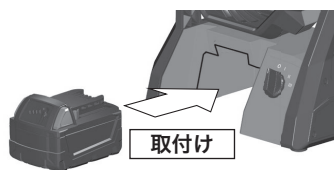
▶ 充電ランプ (赤) が点灯し、充電が始まります。



- 4** 充電器の電源プラグを AC コンセントから抜く。

# 使い方

## バッテリーの取付け方 / 取外し方



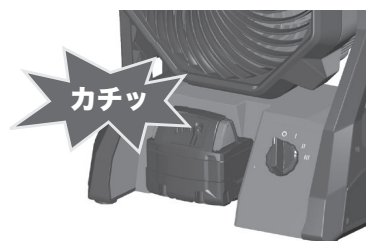
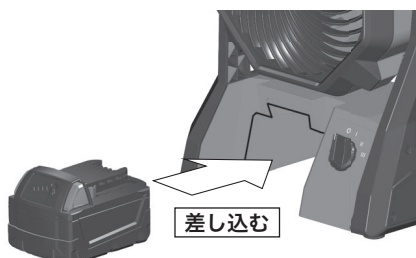
### 警告

バッテリーを取り付ける前に、電源スイッチがオフになっていることを確認してください。

電源スイッチがオンになっている場合には、バッテリーを取り付けた瞬間にファンが回転し、負傷する恐れがあります。

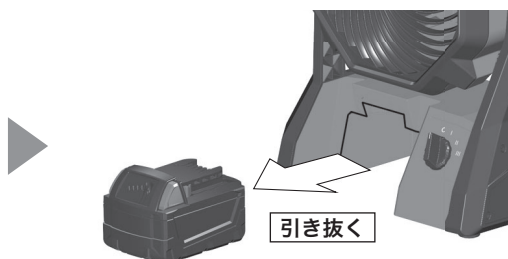
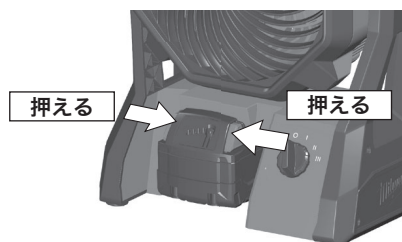
## 取付け方

- 1 「カチッ」と音がするまで、バッテリーを差し込む。



## 取外し方

- 1 バッテリーの両側のノブを押えながら、バッテリーを引き抜く。





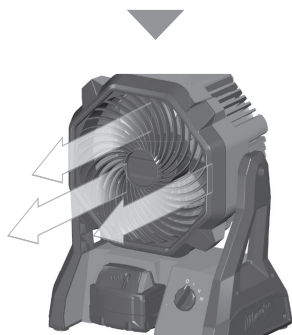
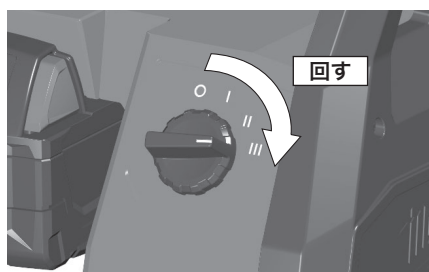
## 電源スイッチの使い方



### 始動させるとき/風量を必要とするとき

**1** 下図で示す方向へ、電源スイッチを回す。

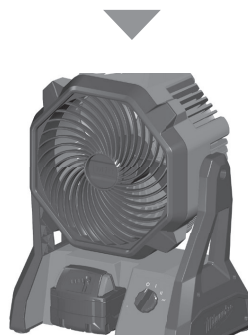
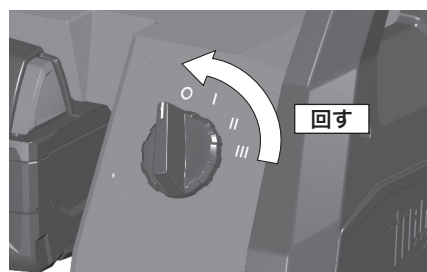
- 「I」→「II」→「III」位置の順で、風量が強くなります。



### 停止させるとき/風量を必要としないとき

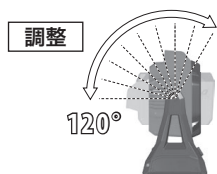
**1** 下図で示す方向へ、電源スイッチを回す。

- 「III」→「II」→「I」位置の順で風量が弱くなり、「O」位置で停止します。



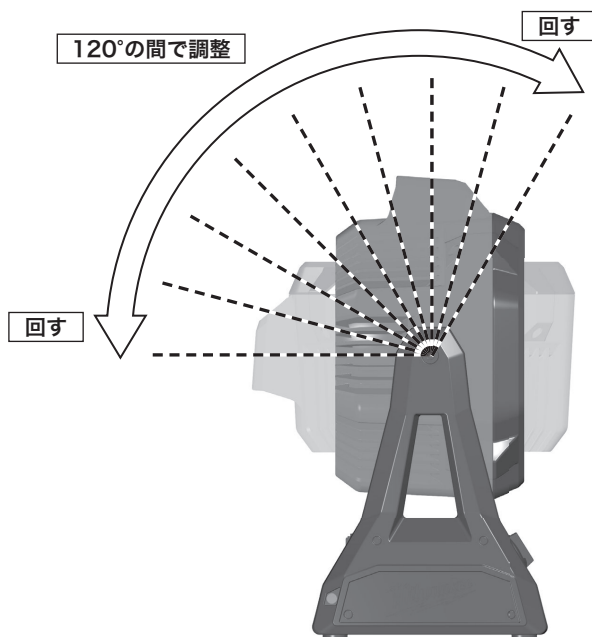
# 使い方

## 風向の調整方法



1 任意の角度にヘッドを回す。

- ヘッドは、120°の間で調整できます。



## お手入れについて



### **お手入れをするときは、下記をお守りください。**

遵守しない場合は、負傷したり、感電・発熱・発火・火災の恐れがあります。

- 電動工具（本体）は、バッテリーを取り外してからお手入れしてください。
- 充電器は、充電器の電源プラグをACコンセントから抜いてからお手入れしてください。
- 電動工具（本体）・充電器・バッテリーは、絶対に水洗いをしないでください（内部に水が侵入し、感電・発熱・発火・火災・故障の原因につながります）。
- 充電器・バッテリーをお手入れするときは、指や金属で充電器・バッテリーの端子に触れないように注意してください（感電・発熱・発火・火災の原因につながります）。
- 電動工具（本体）・充電器・バッテリーを油や有機溶剤などで拭かないでください（樹脂部品の破損、劣化による発熱・発火・火災の原因につながります）。

### **お手入れの仕方**

電動工具（本体）・充電器・バッテリーが汚れた場合は、乾いたやわらかい布で汚れを拭き取るか、またはやわらかい布に水を浸し、かたく絞ってから汚れを拭き取ってください。

汚れがひどいときは、薄めた中性洗剤をやわらかい布にしみこませて拭き取った後、洗剤分を取り除いてください。

# 困ったときは

## 故障かな？と思ったときは

故障かな？と思ったときは、下記の内容を点検してください。改善されない場合は、最寄りの弊社サービスハブにお問い合わせください。

症状	原因	処置
始動しない/ バッテリー残量モニターランプが点灯しない	バッテリー残量が少ない	バッテリーを充電してください。
	バッテリーの取付け不良	バッテリーが正しく確実に装着されていることを確認してください。
	バッテリーの端子接触不良	バッテリーを取り外し、端子に異物が付着していないことを確認してください。異物は除去してください。
	本体またはバッテリーの故障	<p>同一の弊社製バッテリーを複数個お持ちの場合は、別のバッテリーを本体に取り付けて、始動できるかを確認してください。</p> <ul style="list-style-type: none"> <li>● 始動できる場合は、バッテリーの故障が考えられます。</li> <li>● 始動できない場合は、本体の故障が考えられます。</li> </ul> <p>同一のバッテリー仕様で、別の弊社製電動工具をお持ちの場合は、その電動工具にバッテリーを取り付けて、始動できるかを確認してください。</p> <ul style="list-style-type: none"> <li>● 始動できる場合は、本体の故障が考えられます。</li> <li>● 始動できない場合は、バッテリーの故障が考えられます。</li> </ul>
作業中に停止する	バッテリー残量が少ない	バッテリーを充電してください。
	バッテリーの保護機能が働いている（軽度）	電源スイッチをオフにすることで保護機能は解除されます。
	バッテリーの保護機能が働いている（重度）	バッテリーを充電することで保護機能は解除されます
充電時間が長い/使用時間が短い	新品バッテリー 長期間保管していたバッテリー	<p>バッテリーの新品時や長期間保管していたバッテリーは、充電時間が長くなったり、放電量が減少したりすることがあります。</p> <p>2～3回充電と使用を繰り返してください。改善されない場合は、バッテリーの寿命が考えられます。</p>

## お問い合わせ先

ご不明な点や修理につきましては、お買い上げの販売店、または弊社までお問い合わせください。

ミルウォーキーツール・ジャパン合同会社

〒173-0026

東京都板橋区中丸町1 3-1 ゲオタワー池袋2階

Phone : 03-6905-8940 (サービスハブ)

E-Mail : CustomerService@milwaukeeetool.co.jp

Web Site : [www.milwaukeeetool.co.jp](http://www.milwaukeeetool.co.jp)

---

- MEMO -

---

- MEMO -

